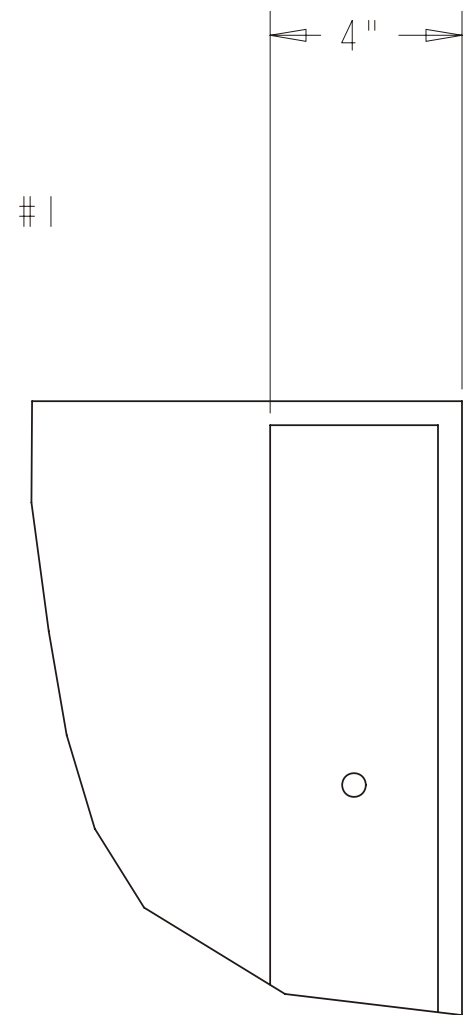
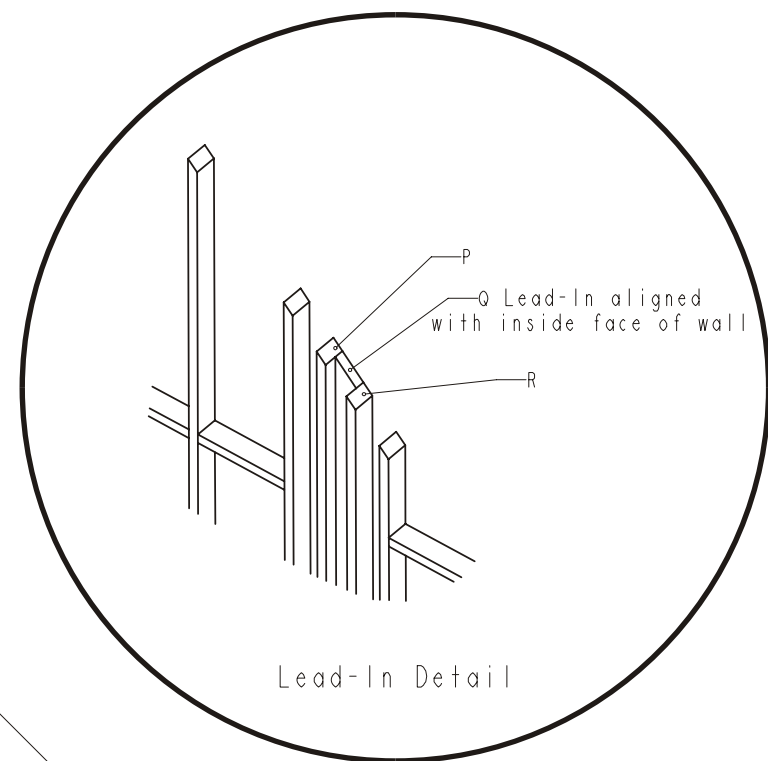
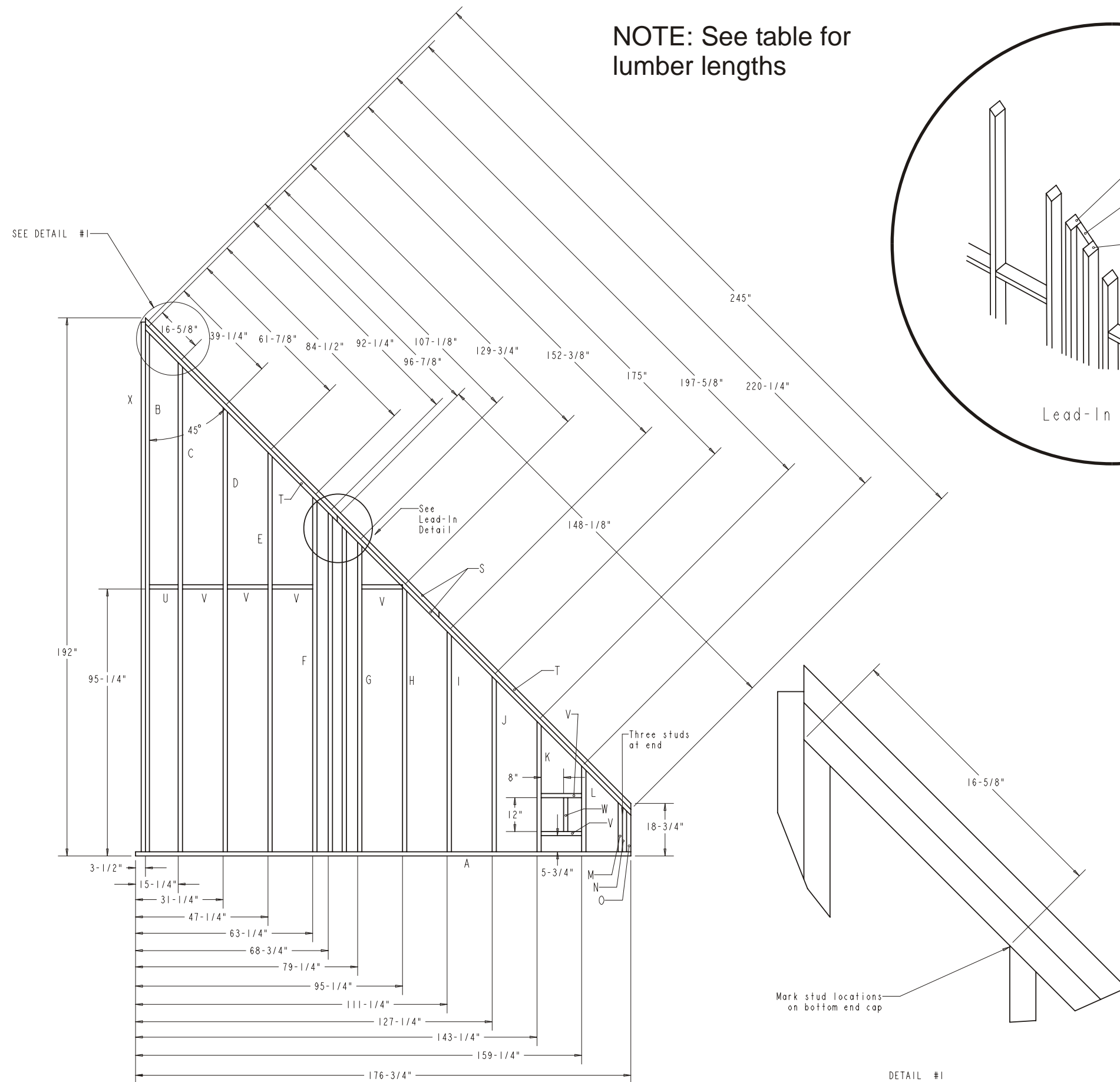


SEE DETAIL #1



DETAIL #1
SCALE 0.250

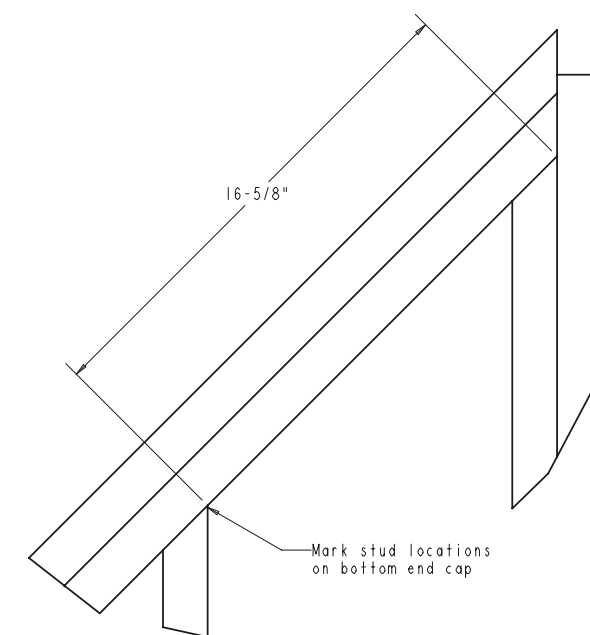
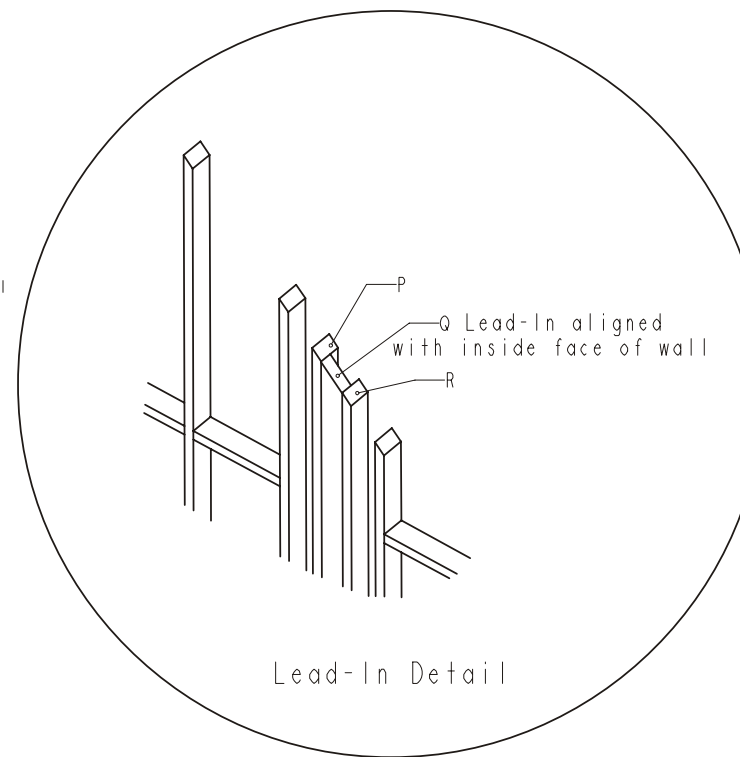
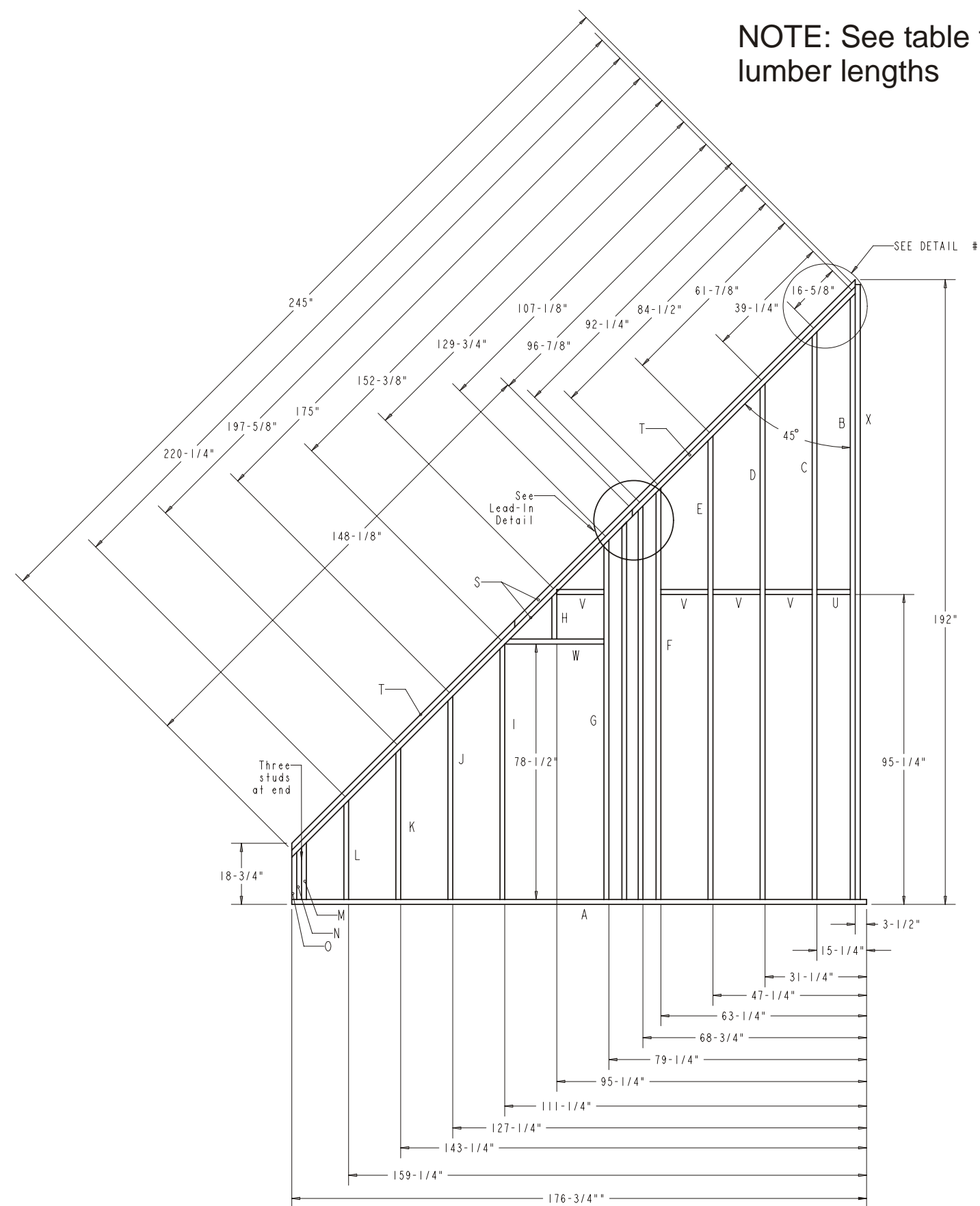
NOTE: See table for
lumber lengths



Item	Qty	Length	Material
X	1	189"	2x4x16'
W	1	12"	
V	7	14 1/2"	2x4x8'
U	1	10 1/4"	
T	2	98 3/8"	2x4x10' (2)
S	2	149 5/8"	2x4x14' (2)
R	1	116"	2x4x10'
Q	1	119 1/2"	2x4x10'
P	1	121"	2x4x12'
O	1	14 1/2"	
N	1	16"	2x4x8'
M	1	17 1/2"	
L	1	30 1/2"	2x4x8'
K	1	46 1/2"	
J	1	62 1/2"	2x4x8'
I	1	78 1/2"	2x4x8'
H	1	94 1/2"	2x4x8'
G	1	110 1/2"	2x4x10'
F	1	126 1/2"	2x4x12'
E	1	142 1/2"	2x4x12'
D	1	158 1/2"	2x4x14'
C	1	174 1/2"	2x4x16'
B	1	186 1/4"	2x4x16'
A	1	176 3/4"	2x4x16' Treated

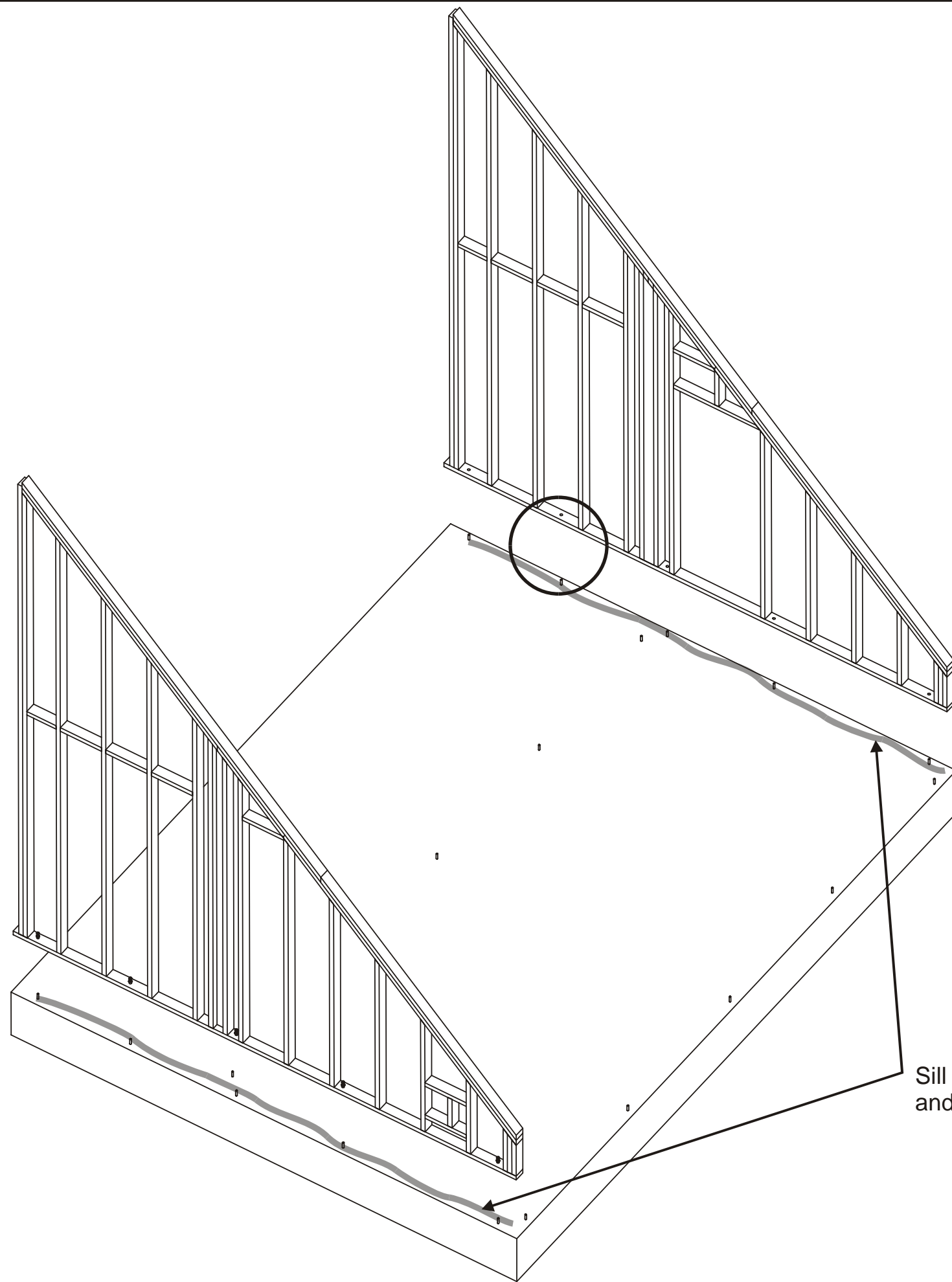
DETAIL #1
SCALE 0.250

NOTE: See table for
lumber lengths

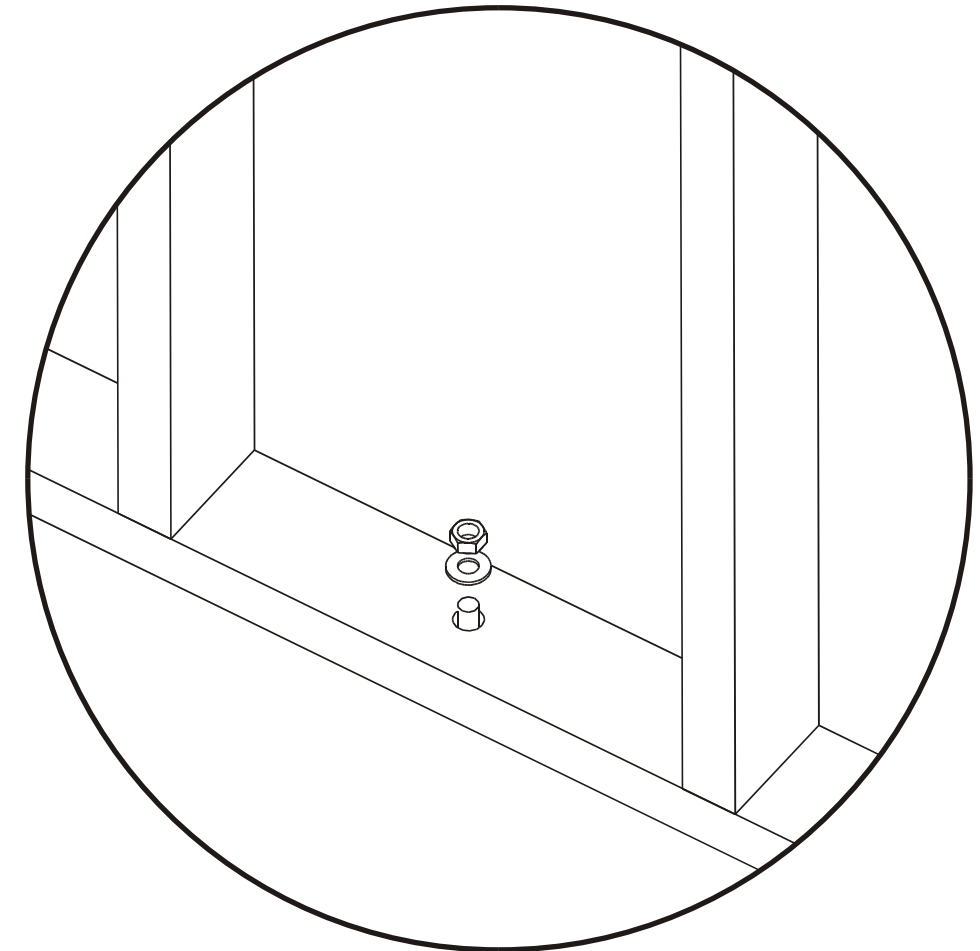


DETAIL #1
SCALE 0.250

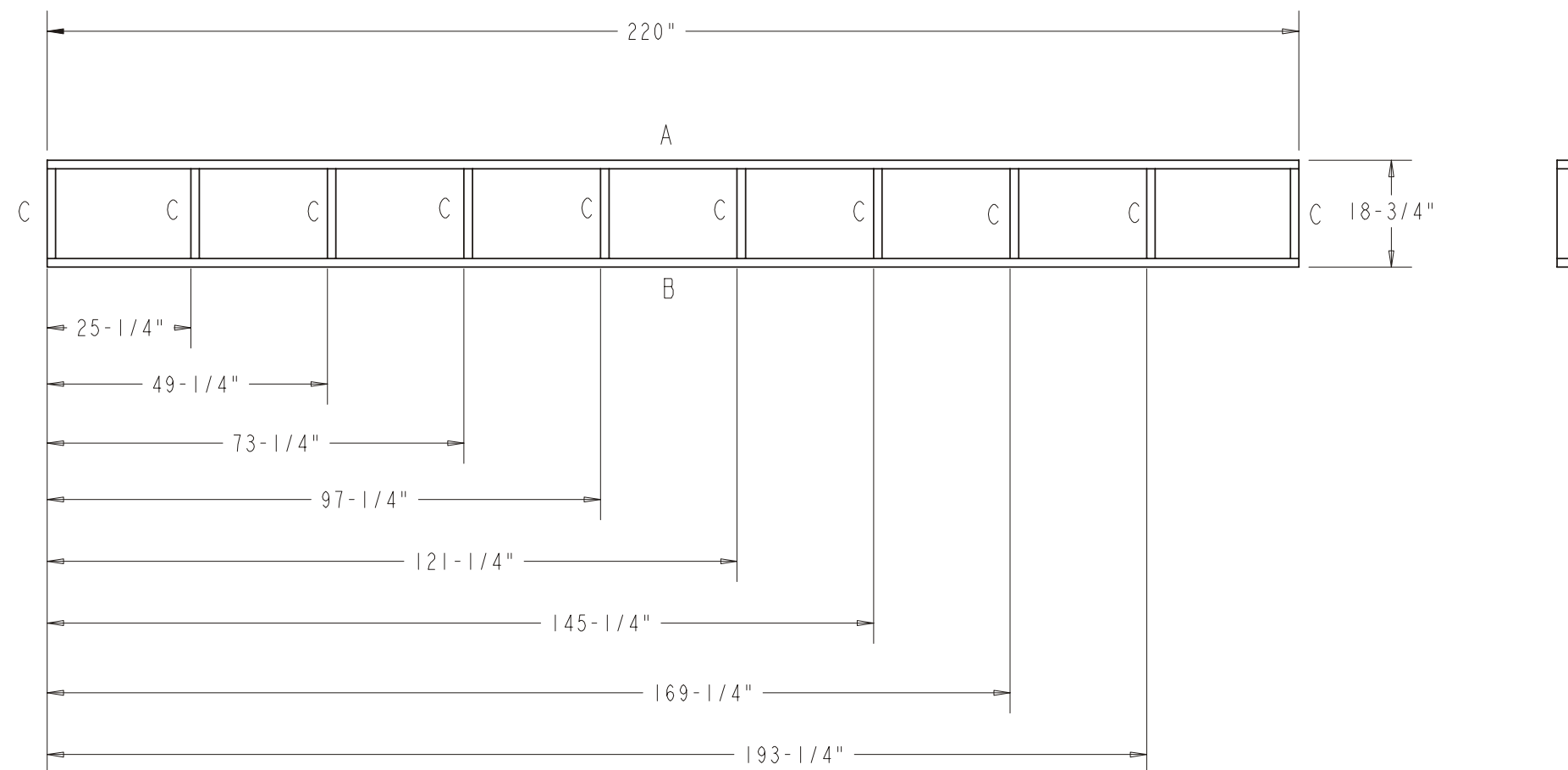
Item	Qty	Length	Material
X	1	189"	2x4x16'
W	1	30 1/2"	2x4x8'
V	4	14 1/2"	
U	1	10 1/4"	2x4x10' (2)
T	2	98 3/8"	
S	2	149 5/8"	2x4x14' (2)
R	1	116"	2x4x10'
Q	1	119 1/2"	2x4x10'
P	1	121"	2x4x12'
O	1	14 1/2"	2x4x8'
N	1	16"	
M	1	17 1/2"	2x4x8'
L	1	30 1/2"	
K	1	46 1/2"	2x4x8'
J	1	62 1/2"	
I	1	78 1/2"	2x4x8'
H	1	14 1/2"	
G	1	110 1/2"	2x4x10'
F	1	126 1/2"	2x4x12'
E	1	142 1/2"	2x4x12'
D	1	158 1/2"	2x4x14'
C	1	174 1/2"	2x4x16'
B	1	186 1/4"	2x4x16'
A	1	176 3/4"	2x4x16' Treated



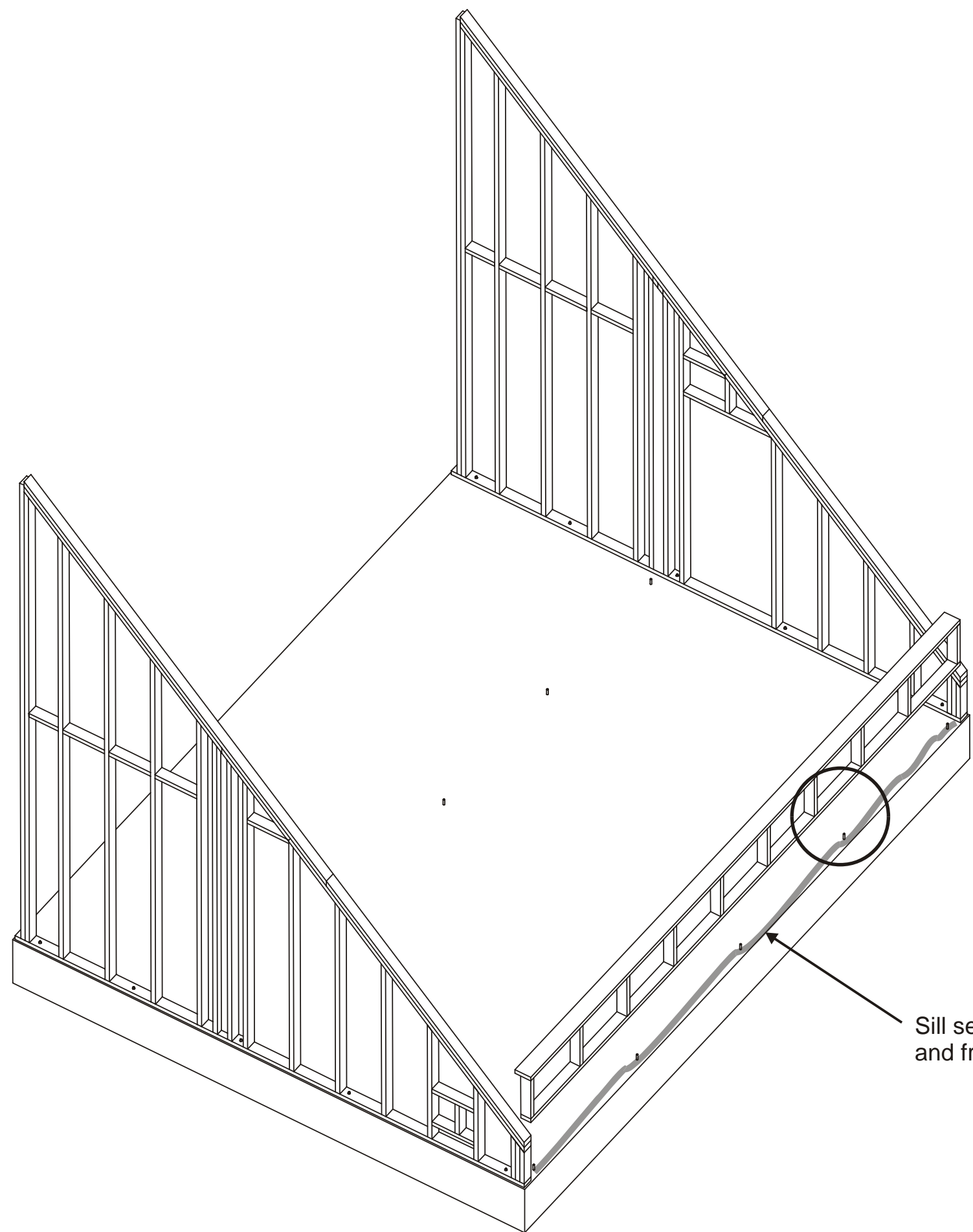
Sill seal between slab
and end wall sill plates



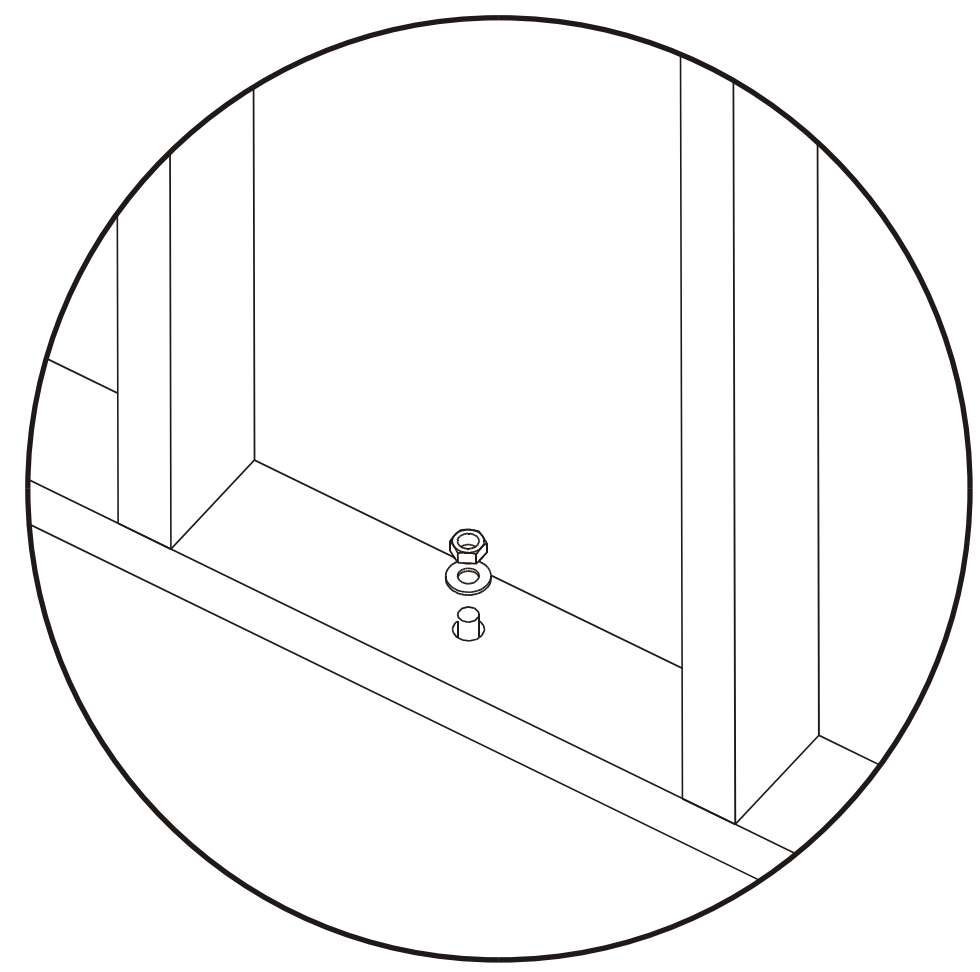
NOTE: See table for
lumber lengths



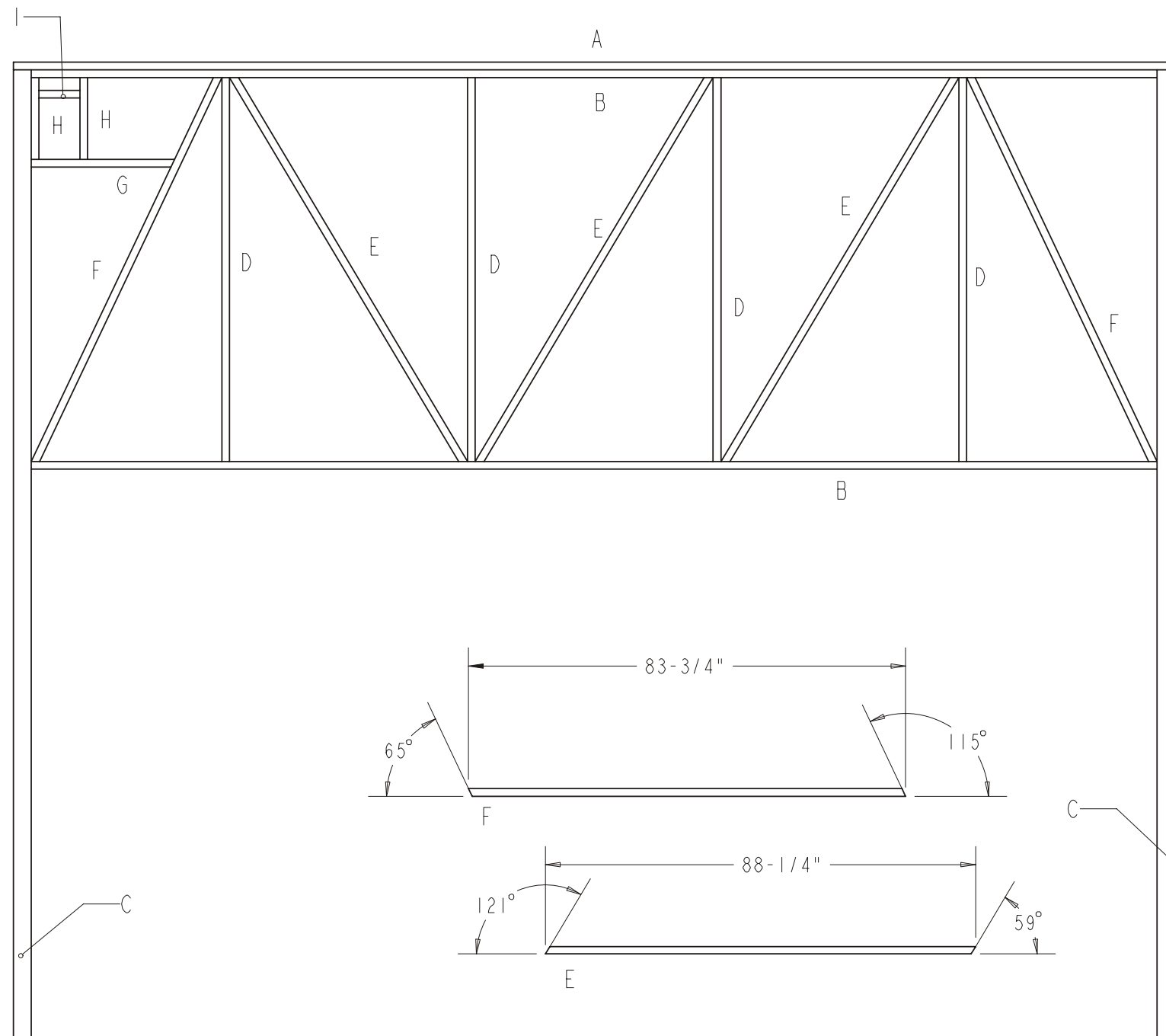
Item	Qty	Length	Material
C	10	15 3/4"	2x4x8 (2)
B	1	220"	2x4x10' Treated (2)
A	1	220"	2x6x20'



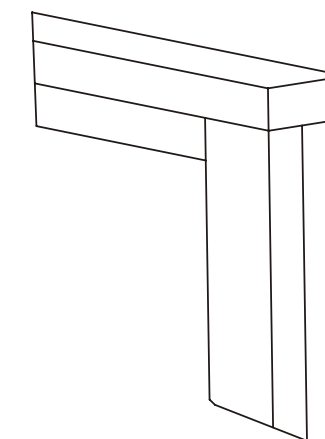
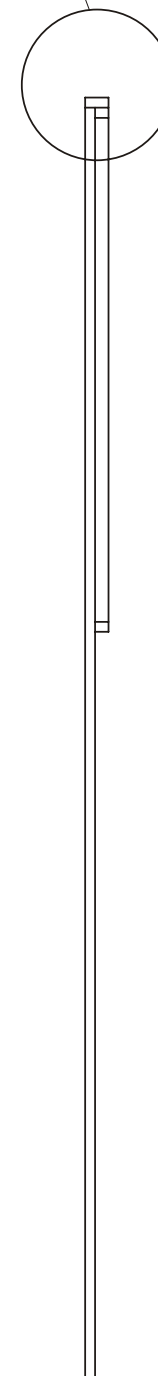
Sill seal between slab
and front wall sill plate



NOTE: See table for
lumber lengths

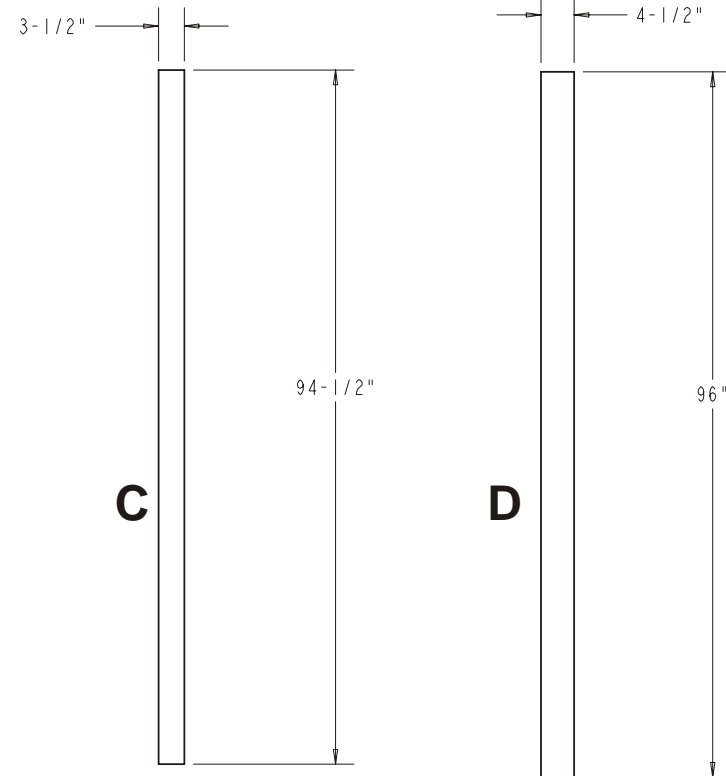
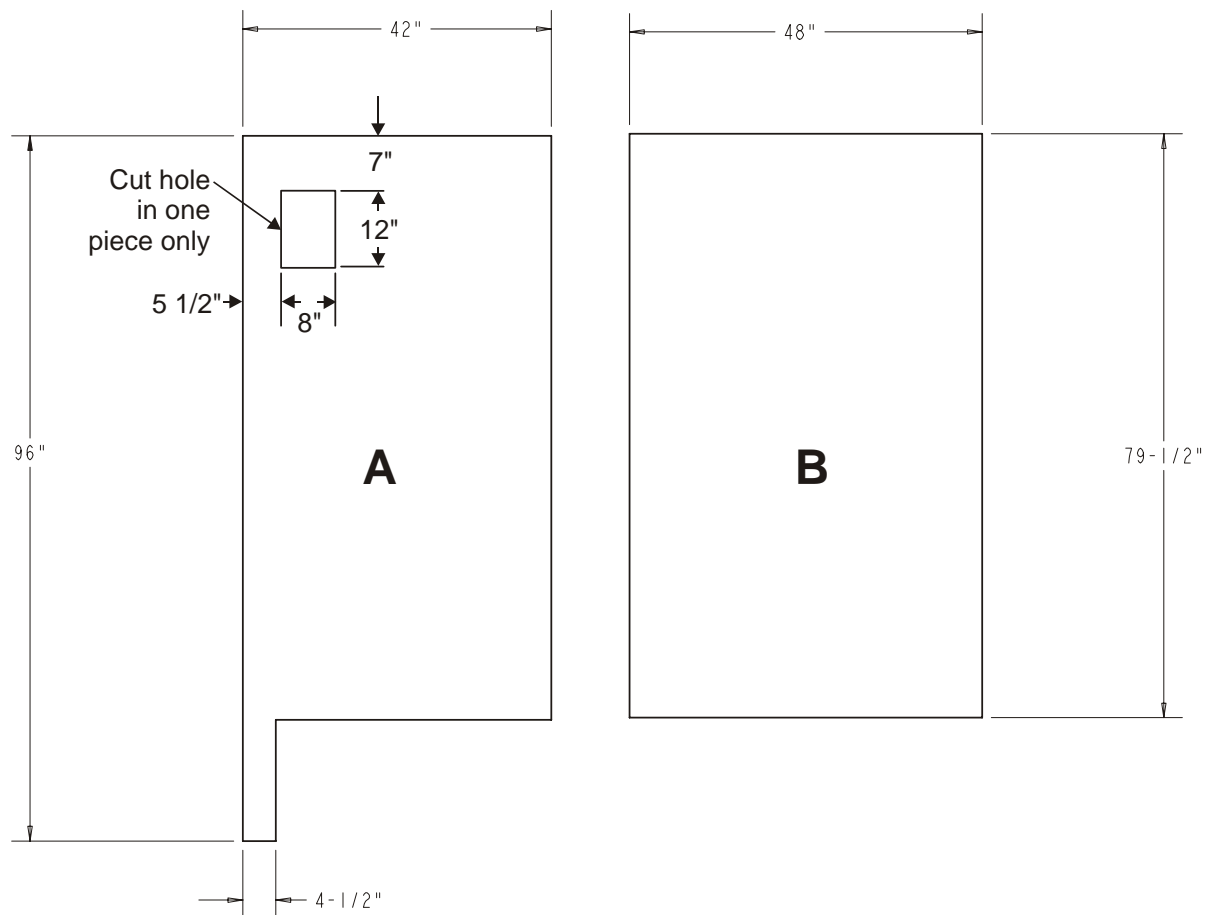
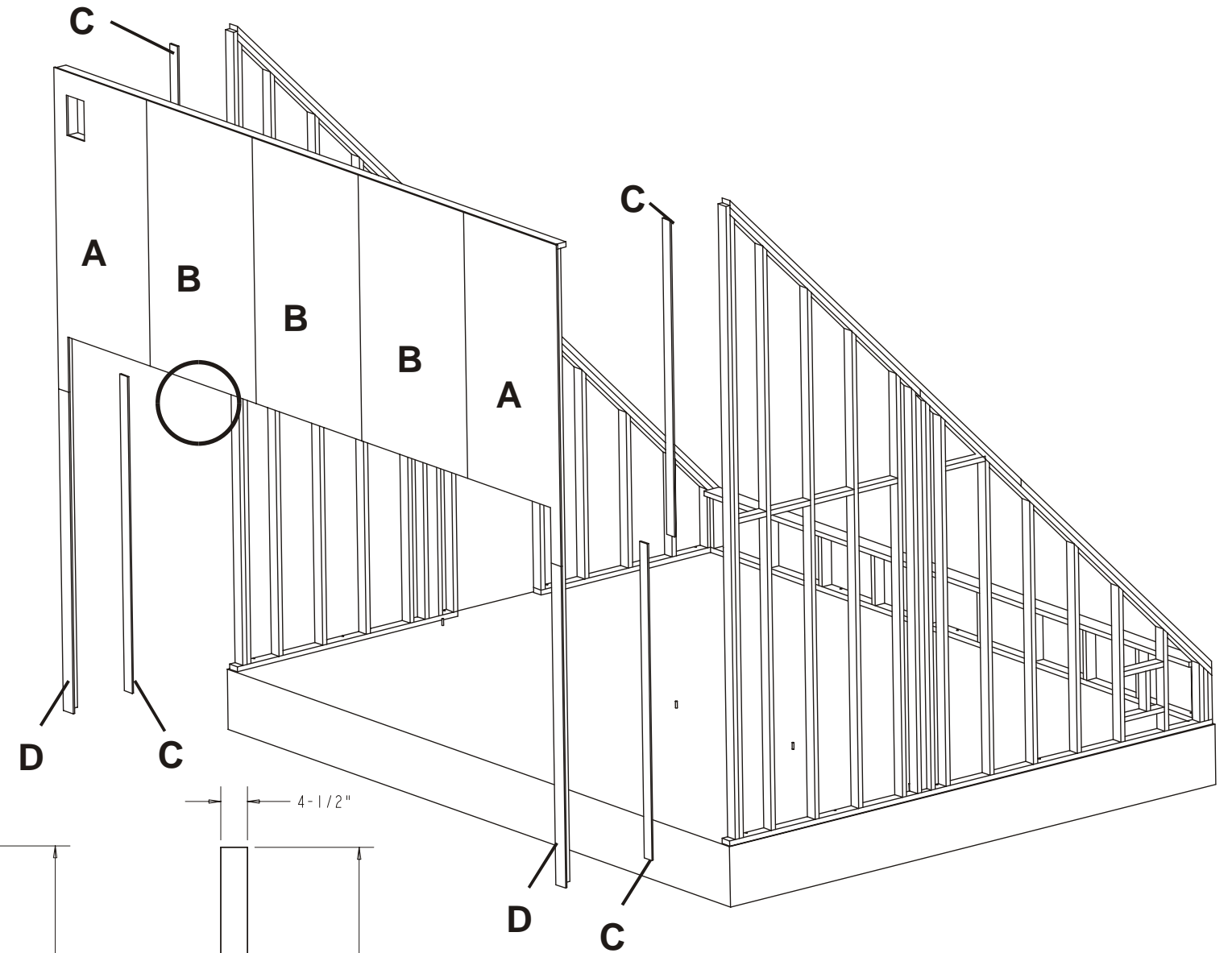
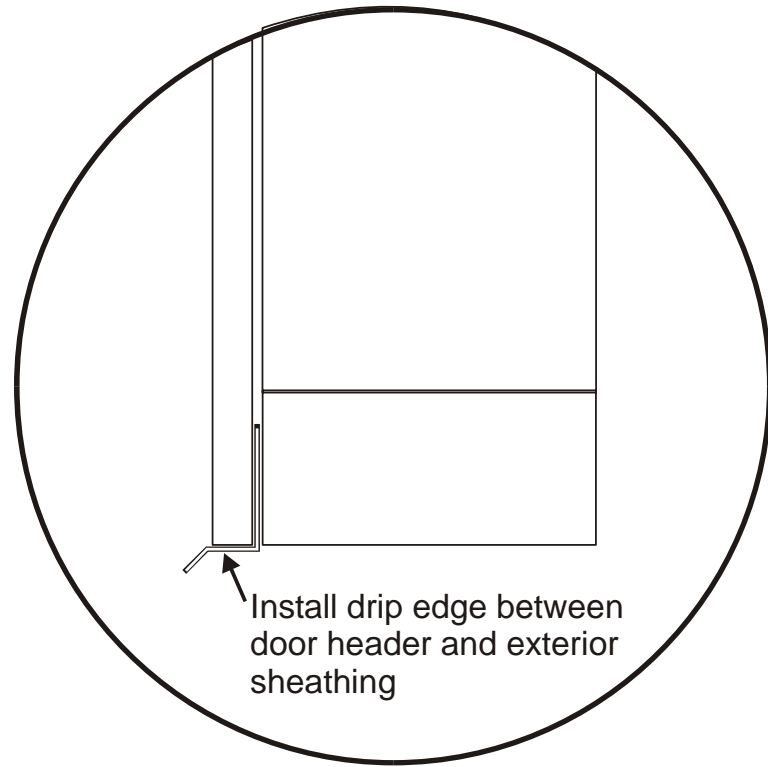


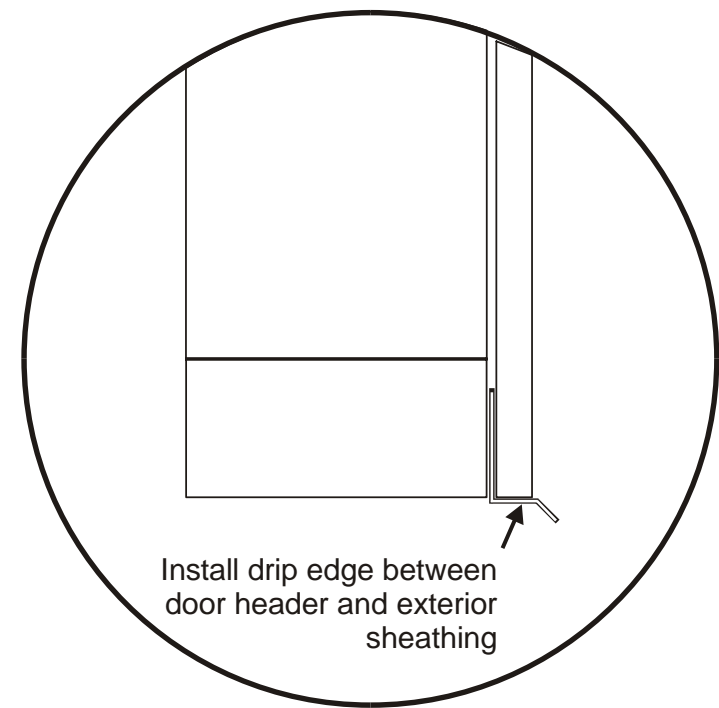
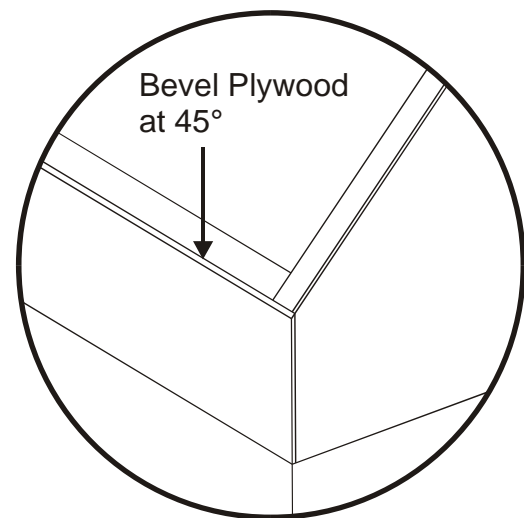
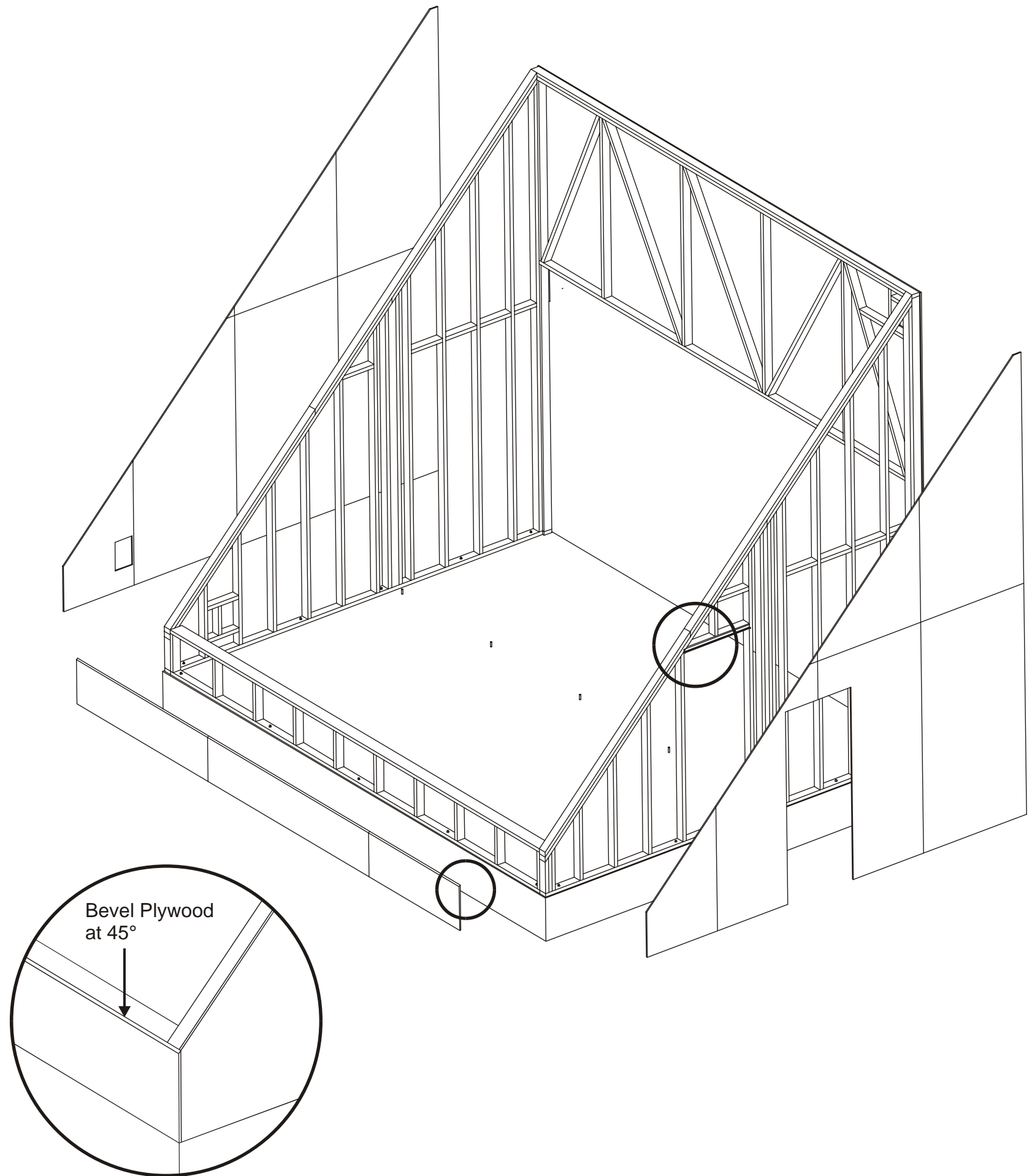
See Detail

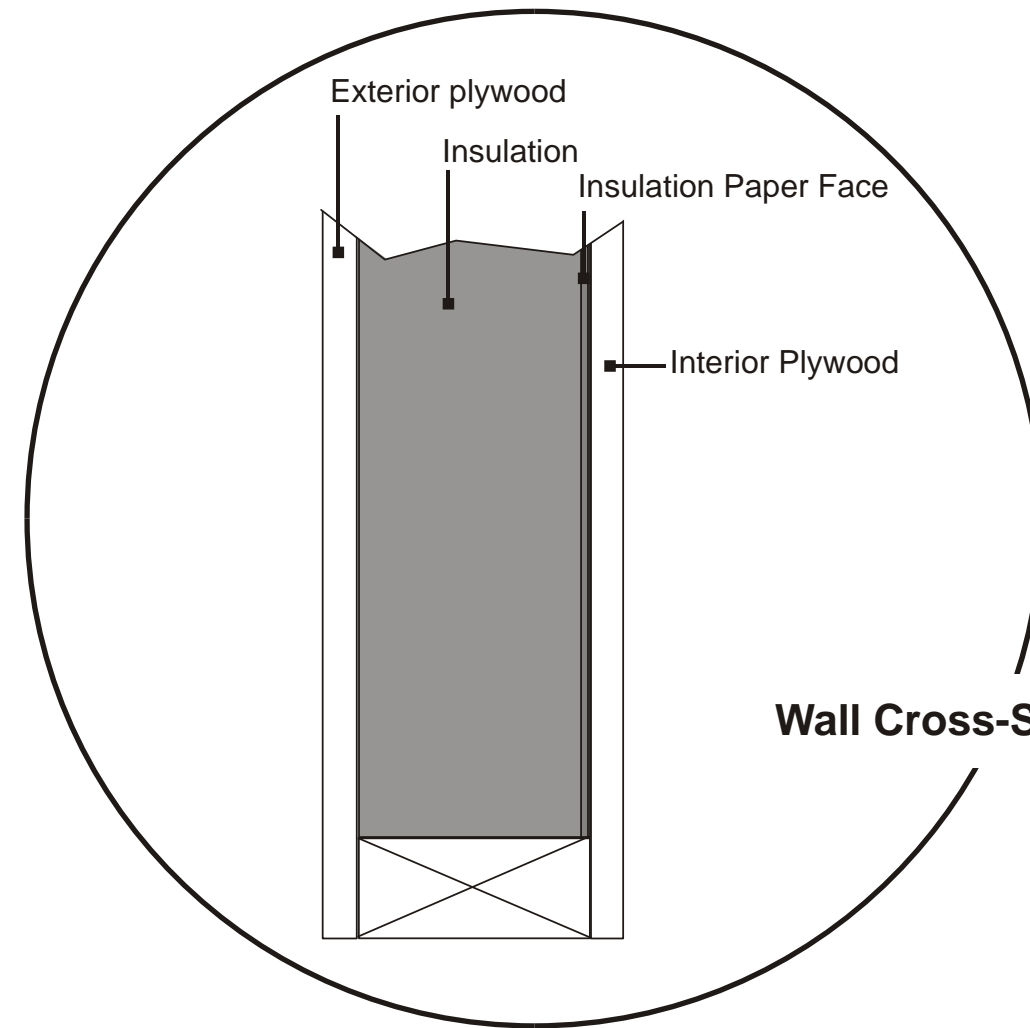
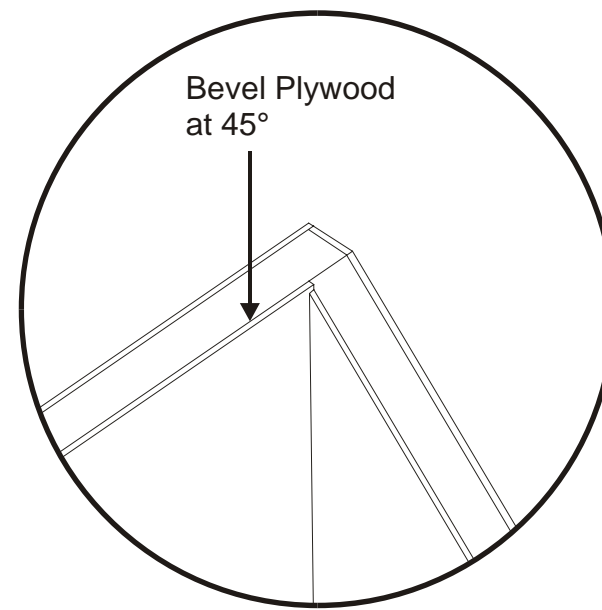
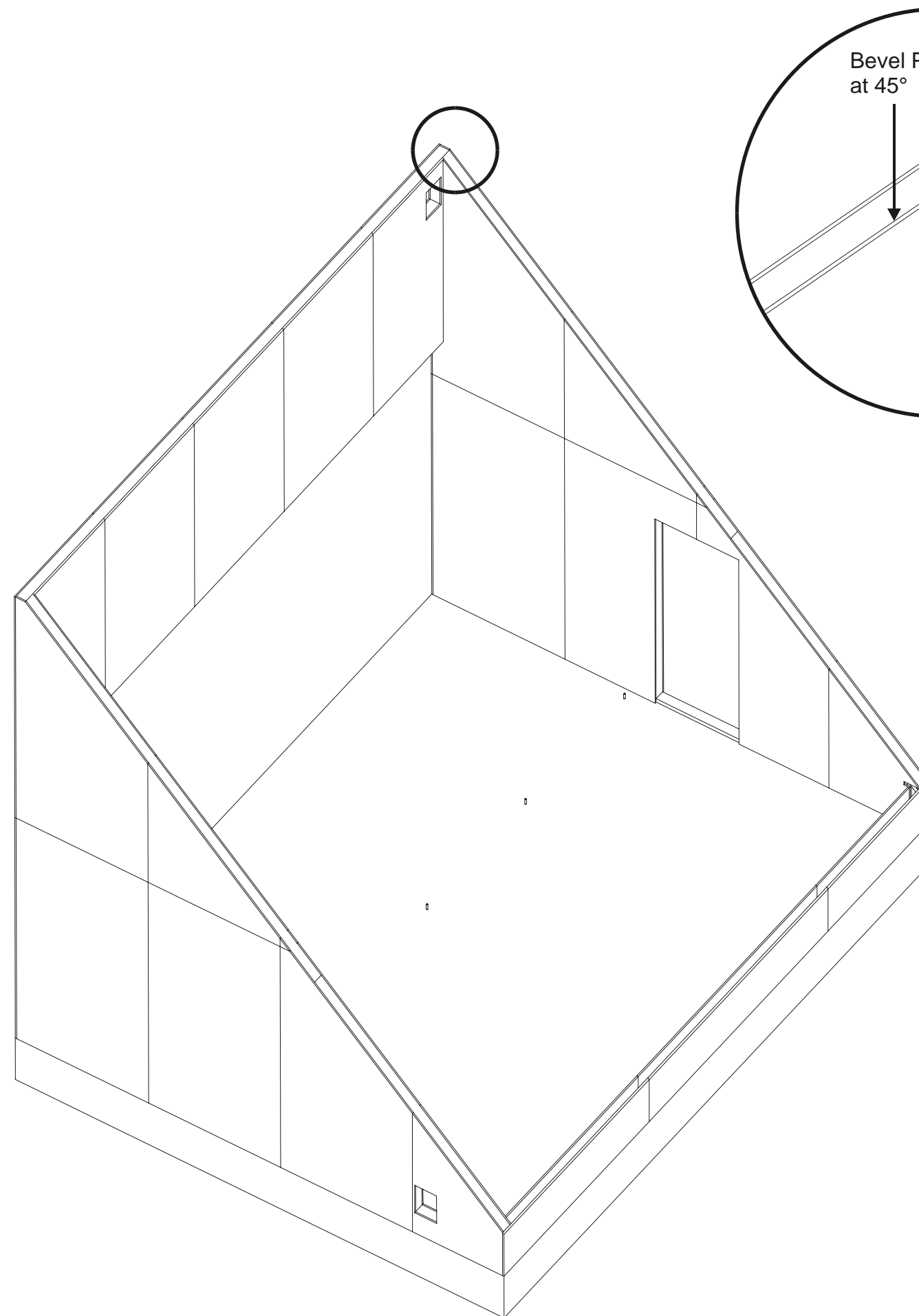


SCALE 0.150

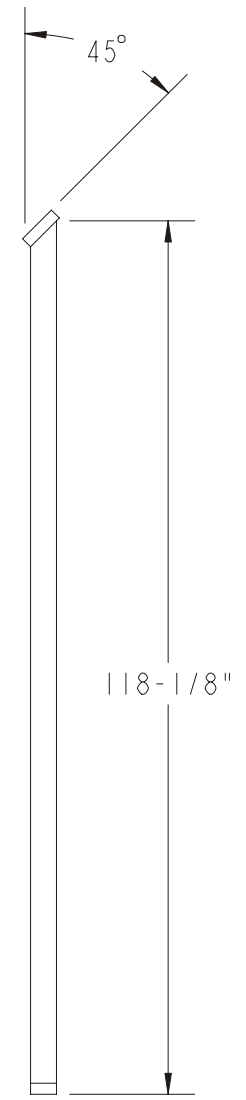
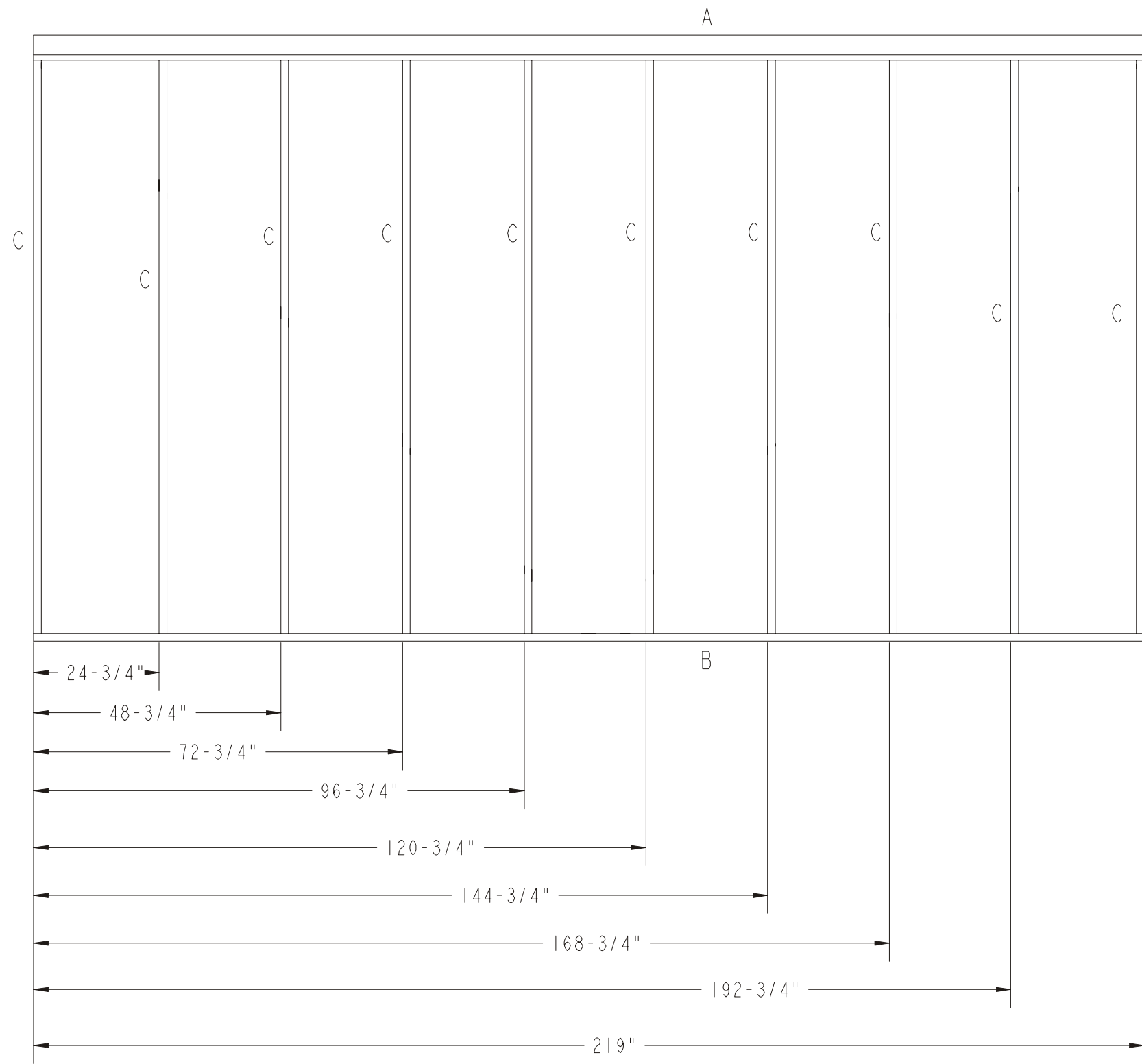
Item	Qty	Length	Material
I	1	8"	
H	2	16"	
G	1	28"	2x4x8'
F	2	83 3/4"	2x4x8' (2)
E	3	88 1/4"	2x4x8' (3)
D	4	75"	2x4x8' (4)
C	2	189"	2x4x16' (2)
B	2	220"	2x4x20' (2)
A	1	227"	2x4x20'





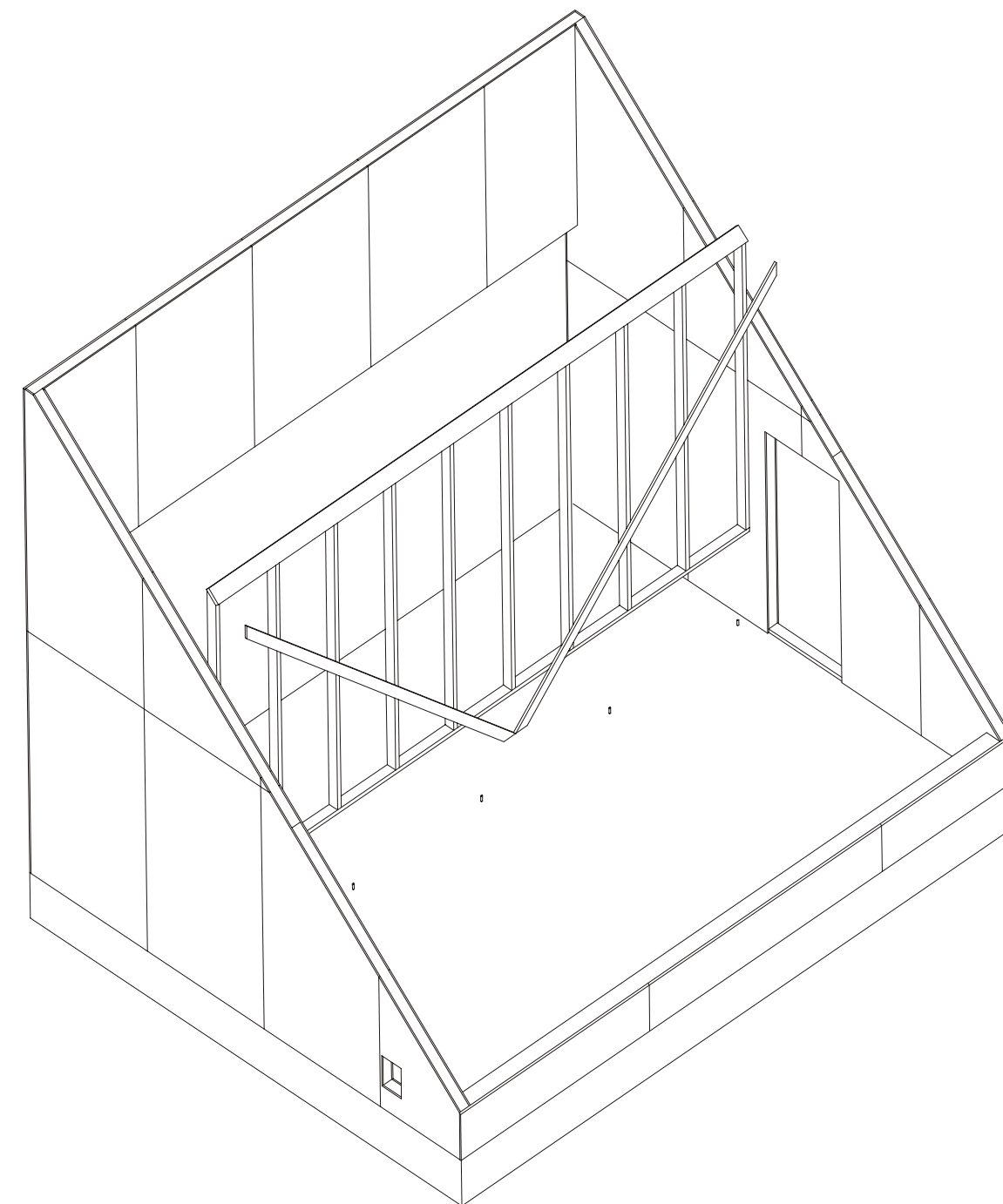
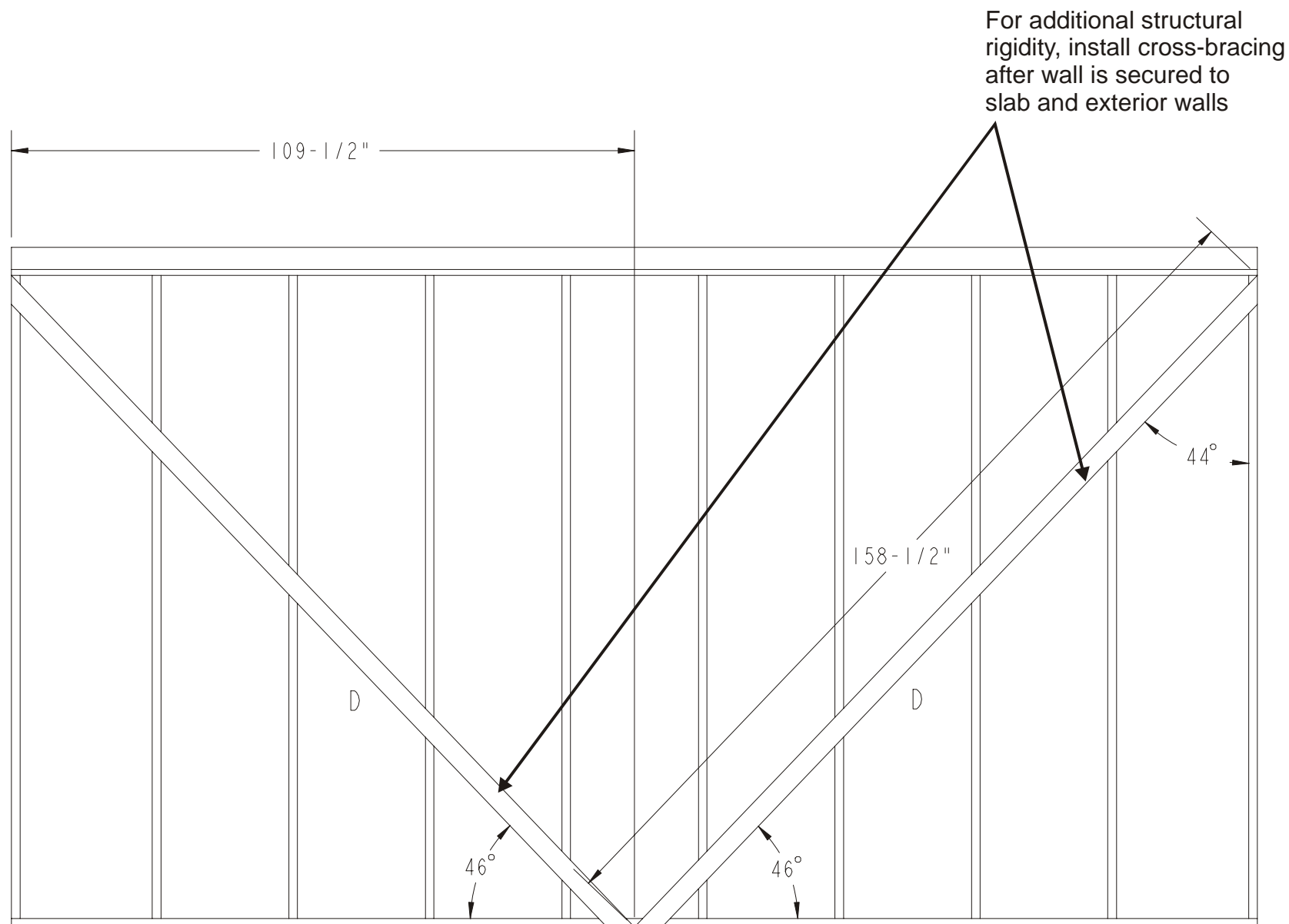


Wall Cross-Section

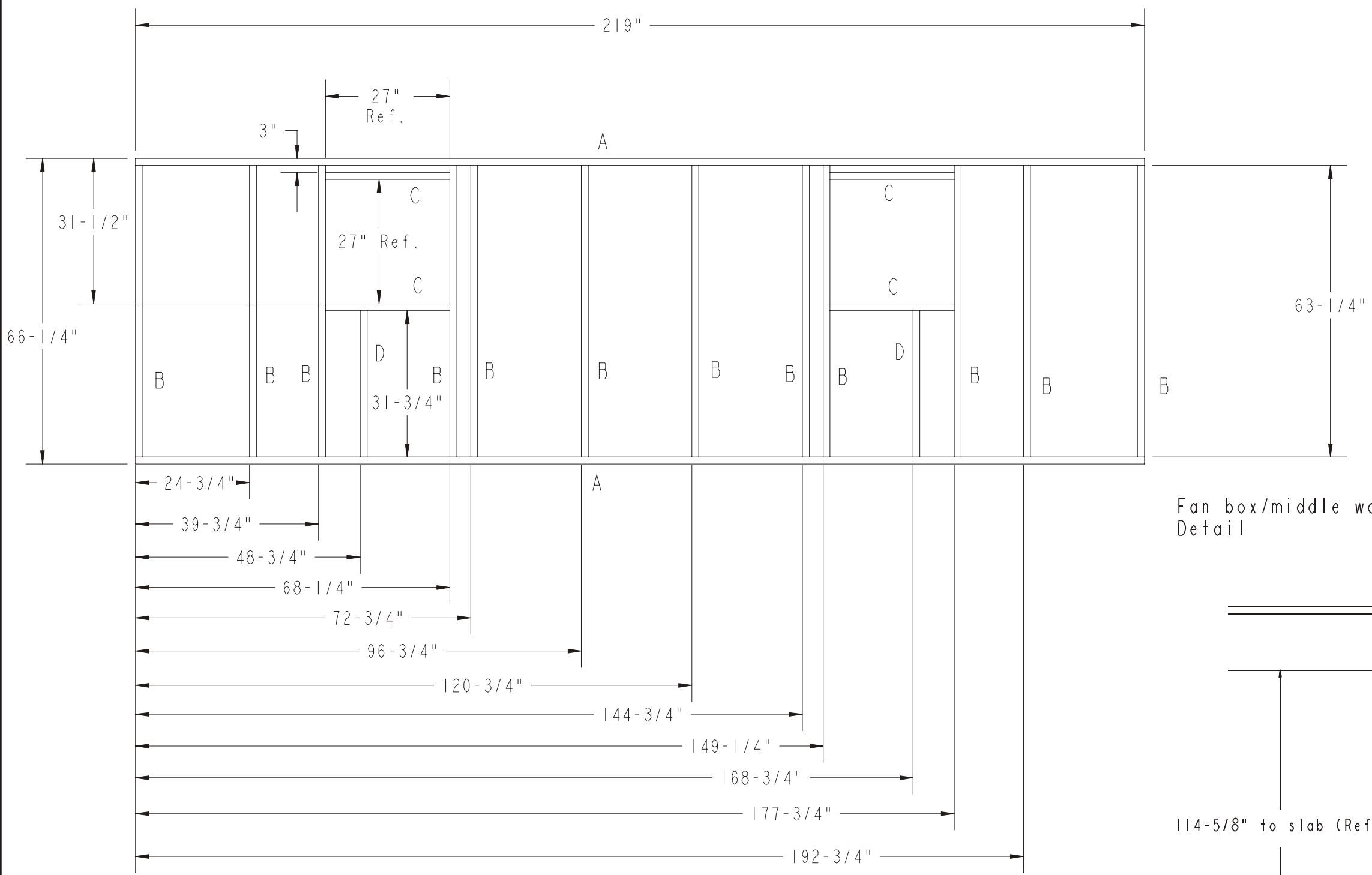


NOTE: See table for lumber lengths

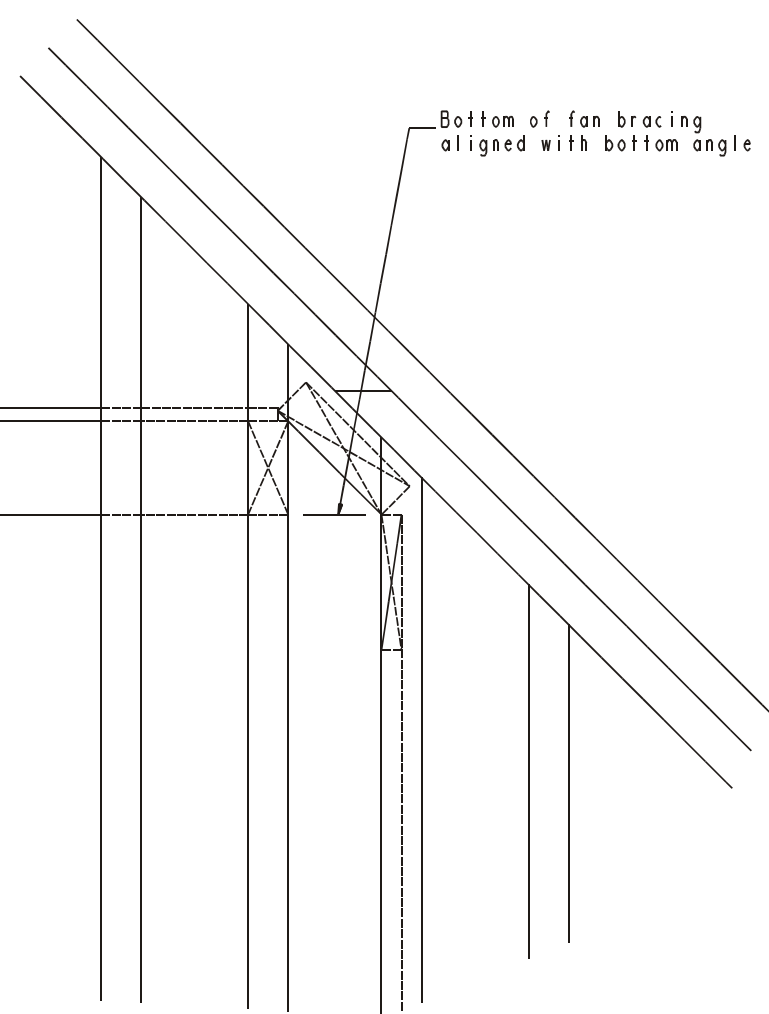
Item	Qty	Length	Material
C	10	116 5/8"	2x4x10' (10)
B	2	109 1/2"	2x4x10' Treated (2)
A	1	219"	2x6x20'



Item	Qty	Length	Material
D	2	158 1/2"	1x4x14' (2)

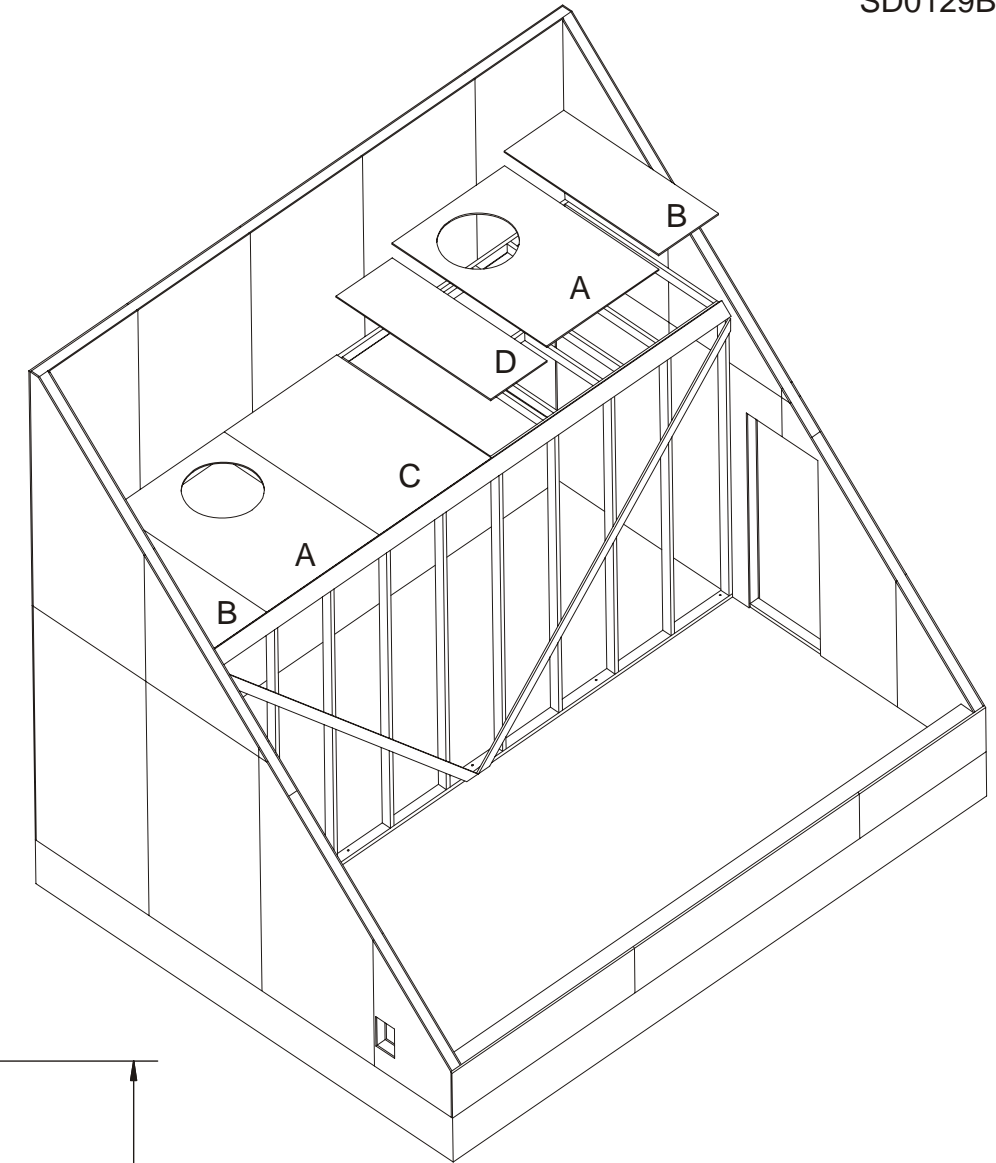
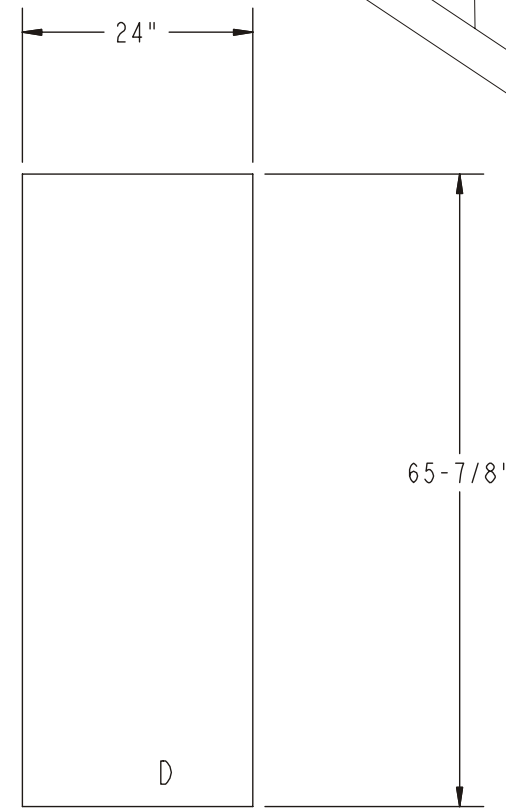
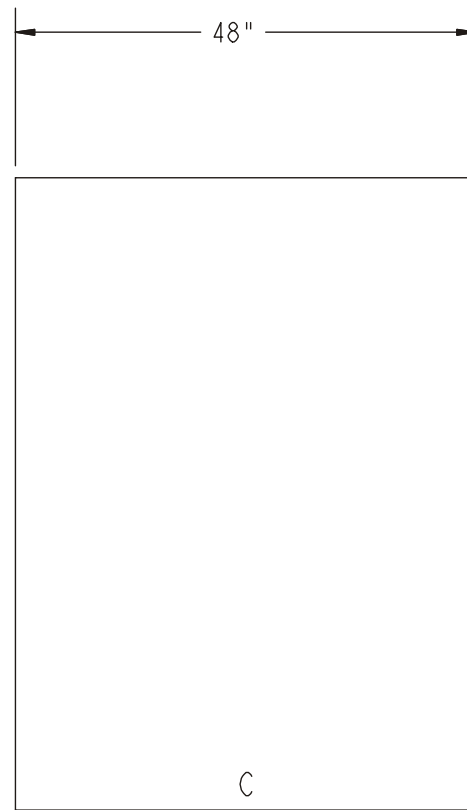
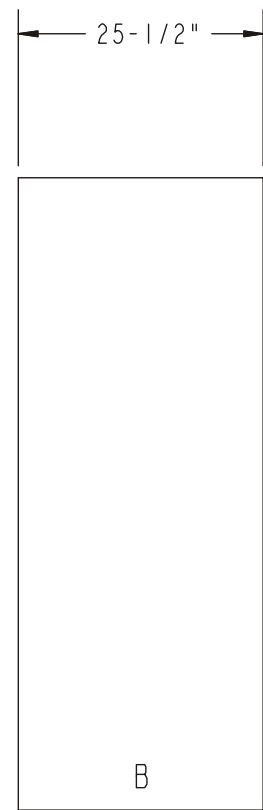
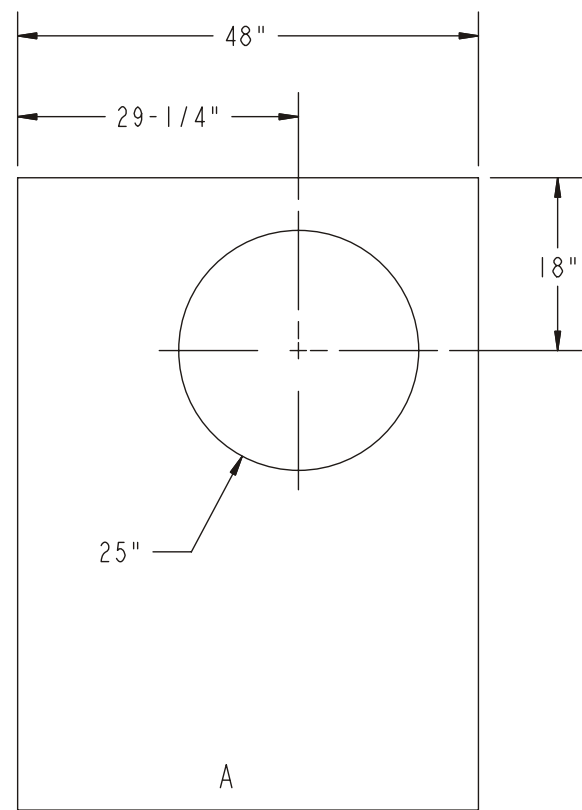


Fan box/middle wall
Detail

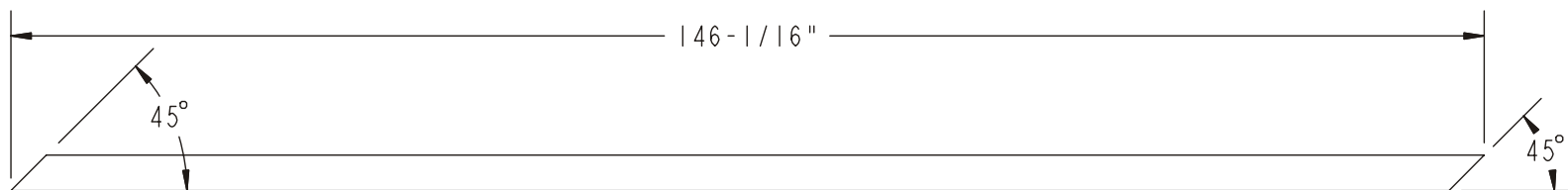
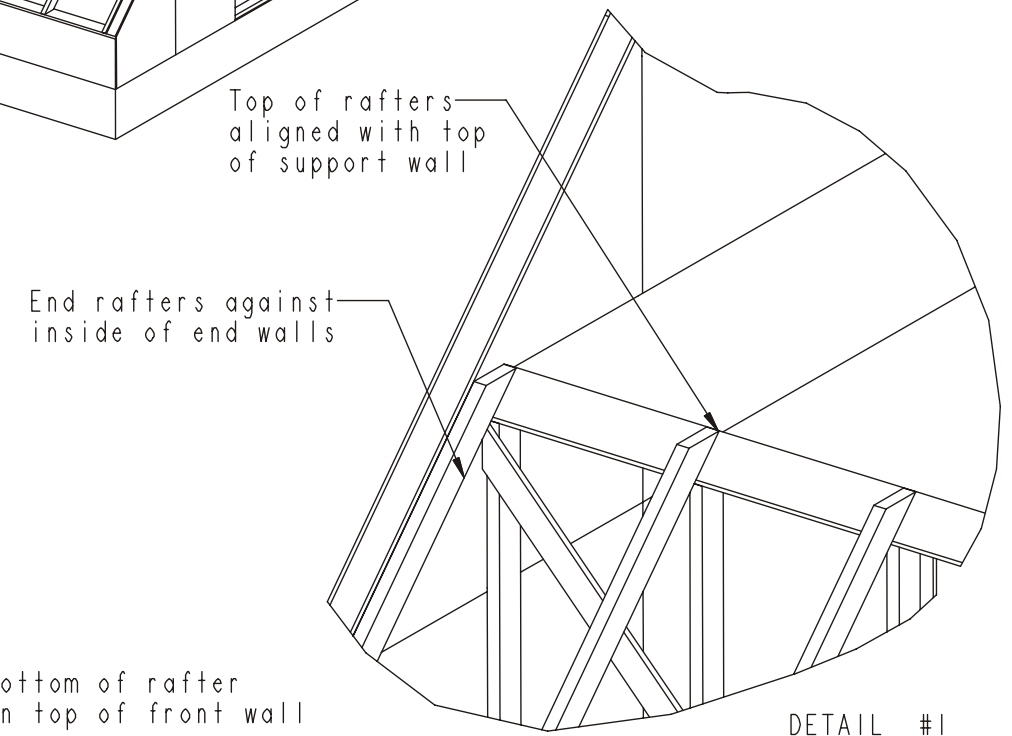
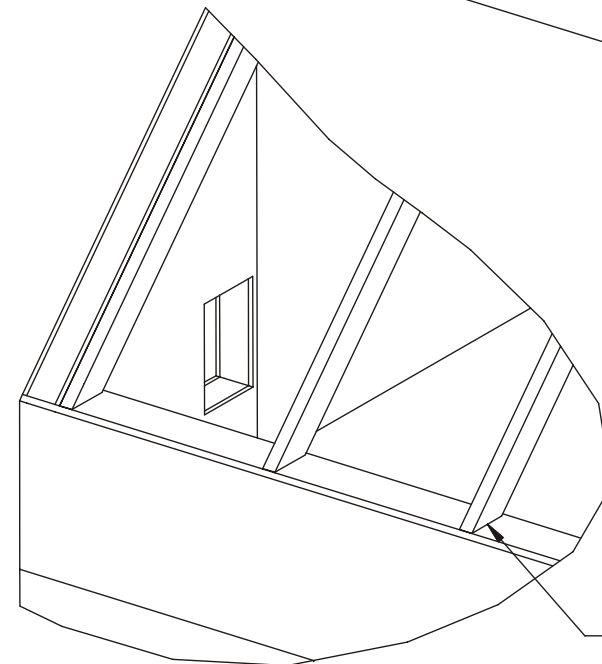
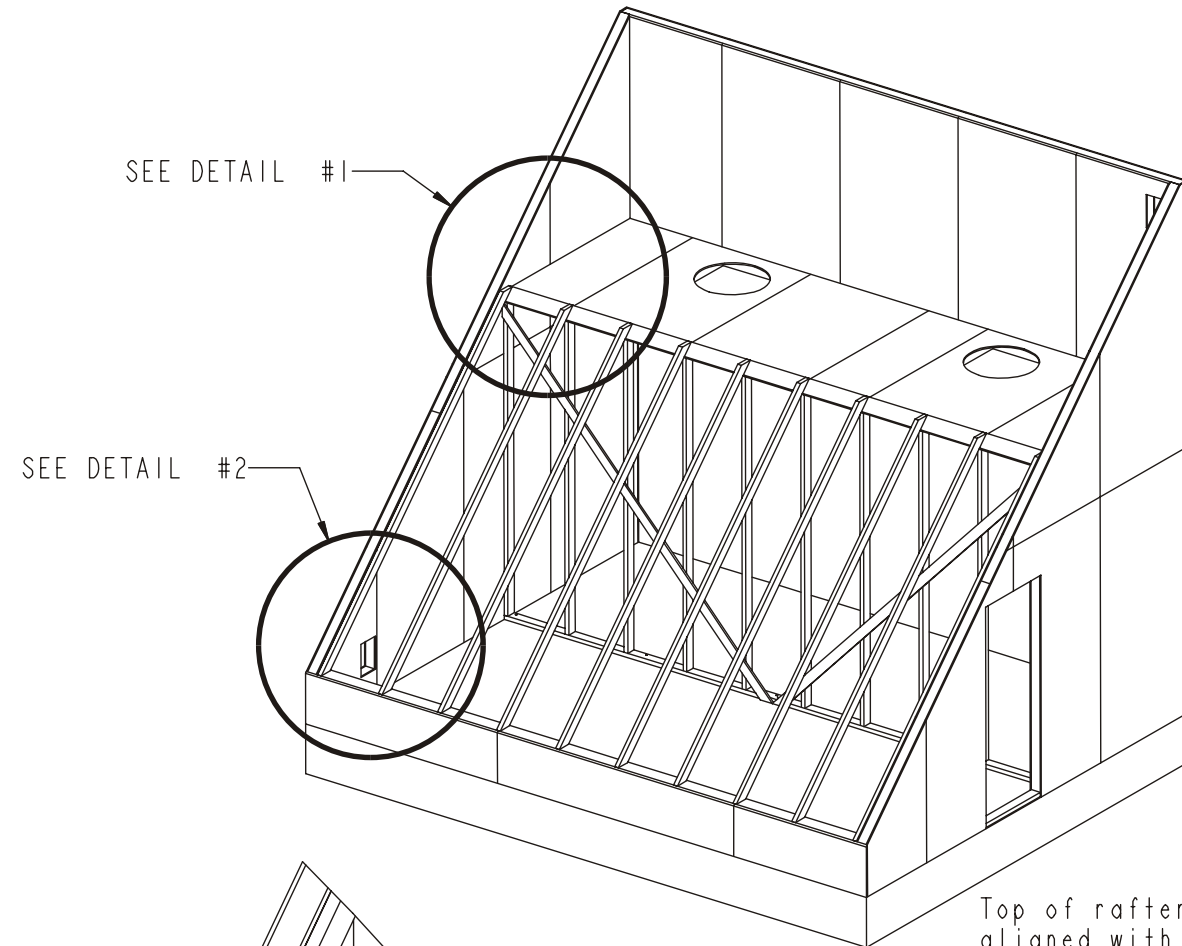
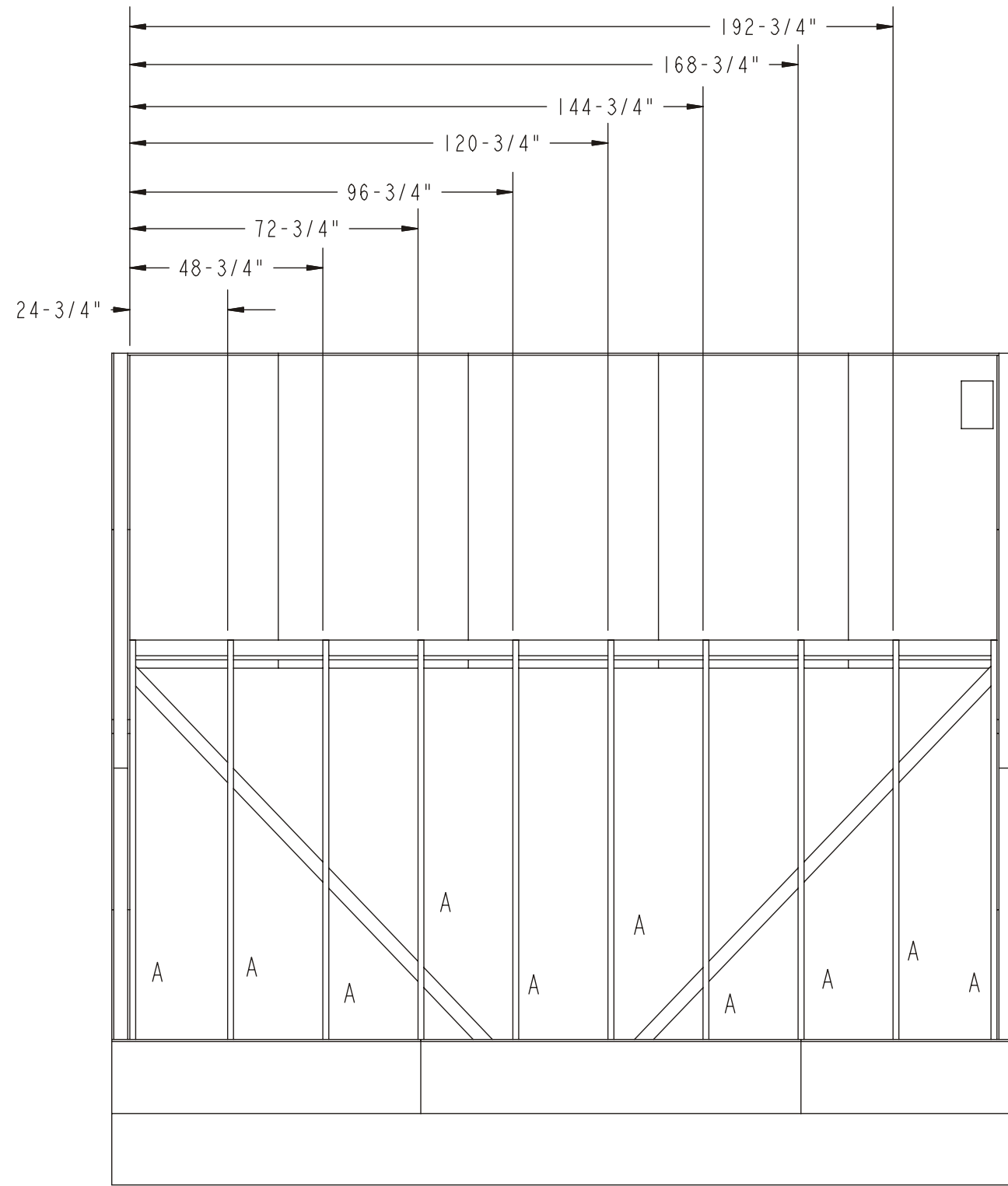


NOTE: See table for
lumber lengths

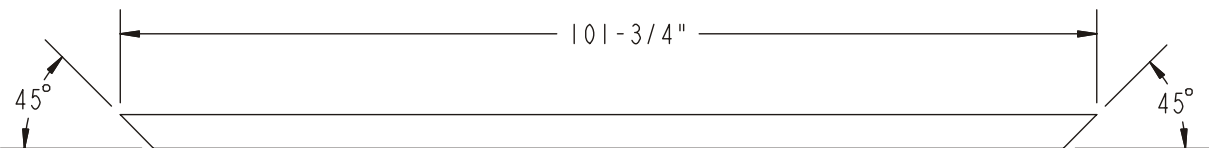
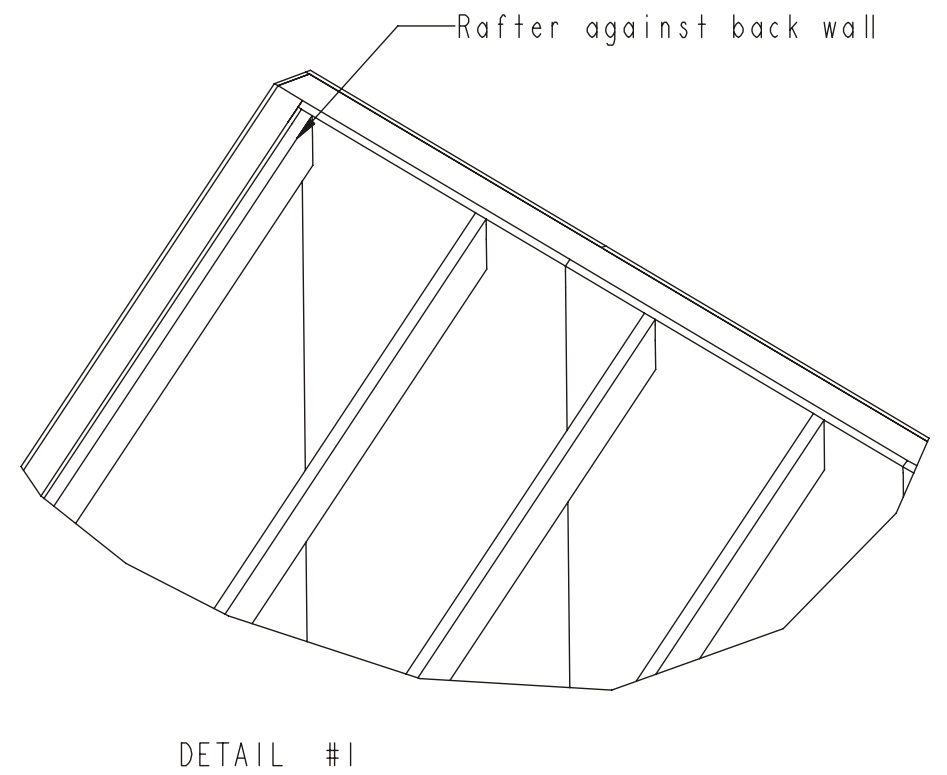
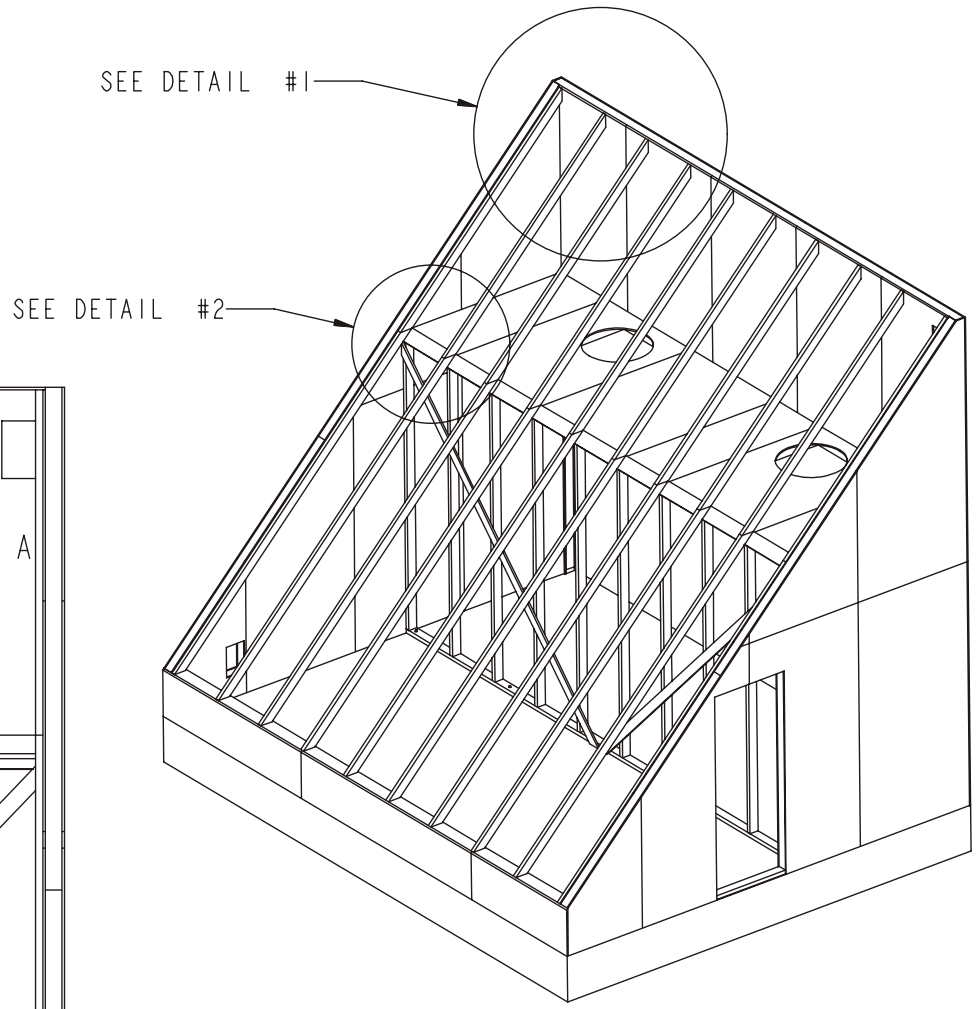
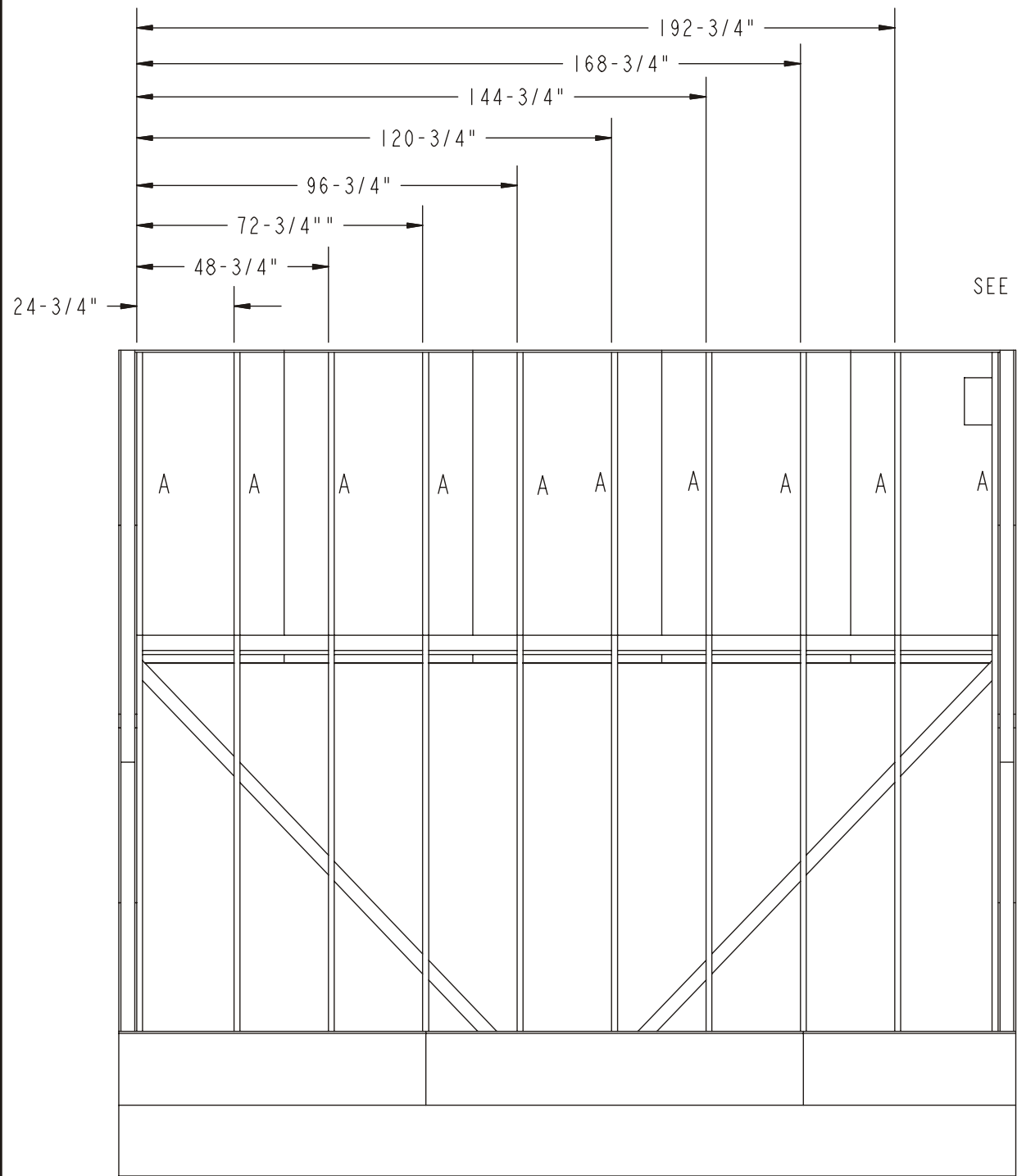
Item	Qty	Length	Material
D	2	31 3/4"	
C	4	27"	
B	12	63 1/4"	2x4x8' (12)
A	4	109 1/2"	2x4x10' (4)



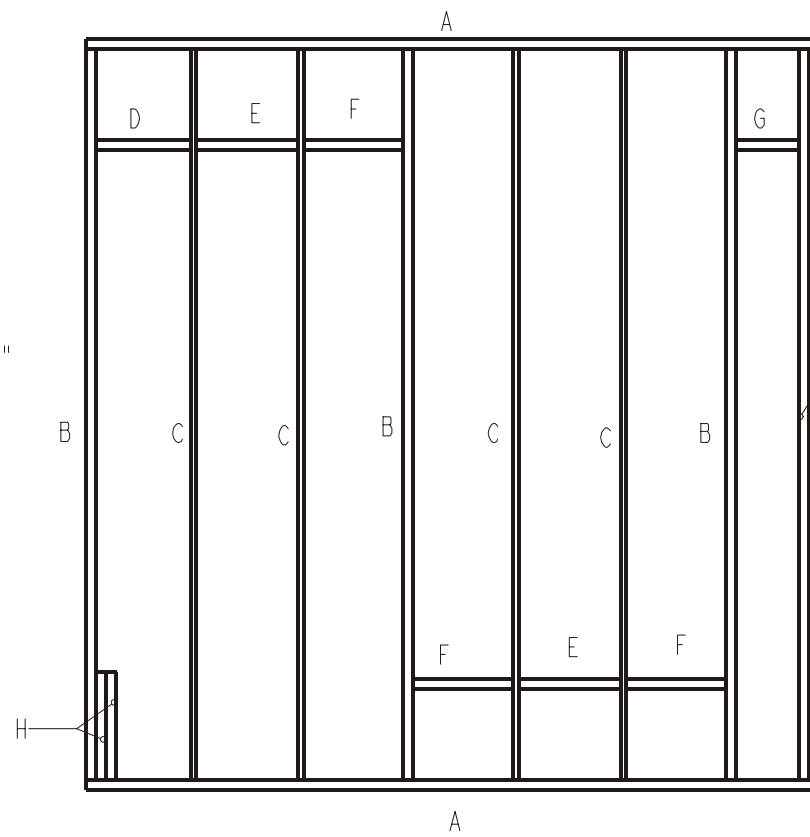
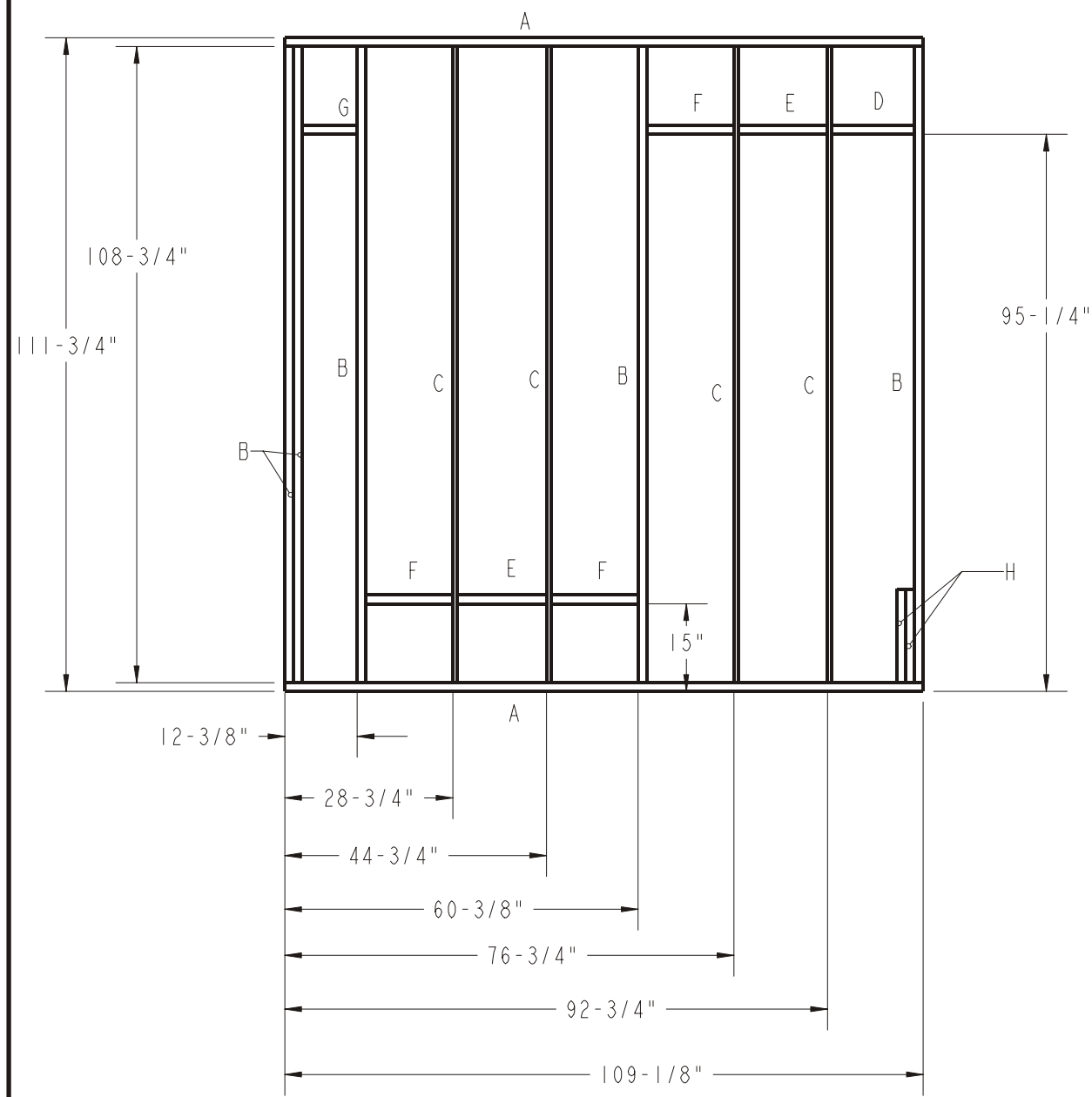
Item	Qty	65 7/8" x	Material
D	1	24"	4'x8'x1/2" BCX Plywood
C	1	48"	4'x8'x1/2" BCX Plywood
B	2	25 1/2"	4'x8'x1/2" BCX Plywood
A	2	48"	4'x8'x1/2" BCX Plywood



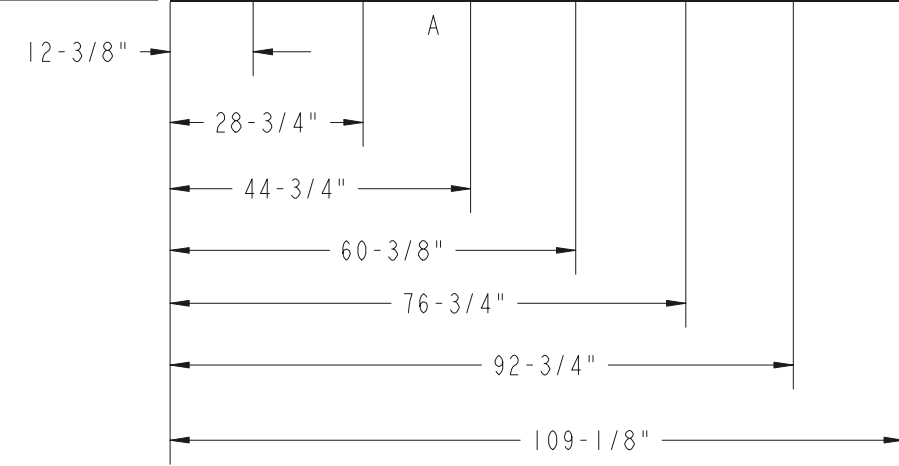
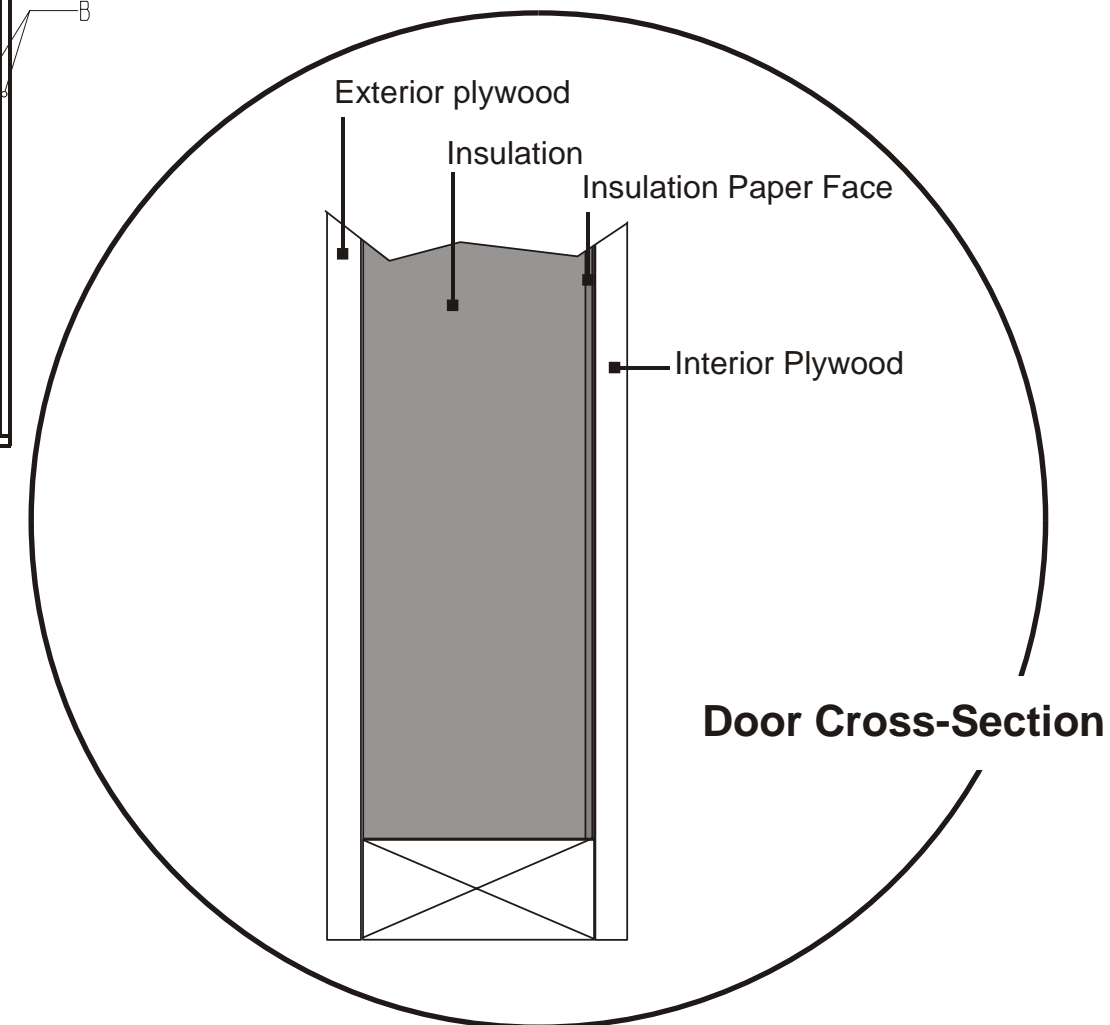
Item	Qty	Length	Material
A	10	146 1/16"	2x4x14' (10)



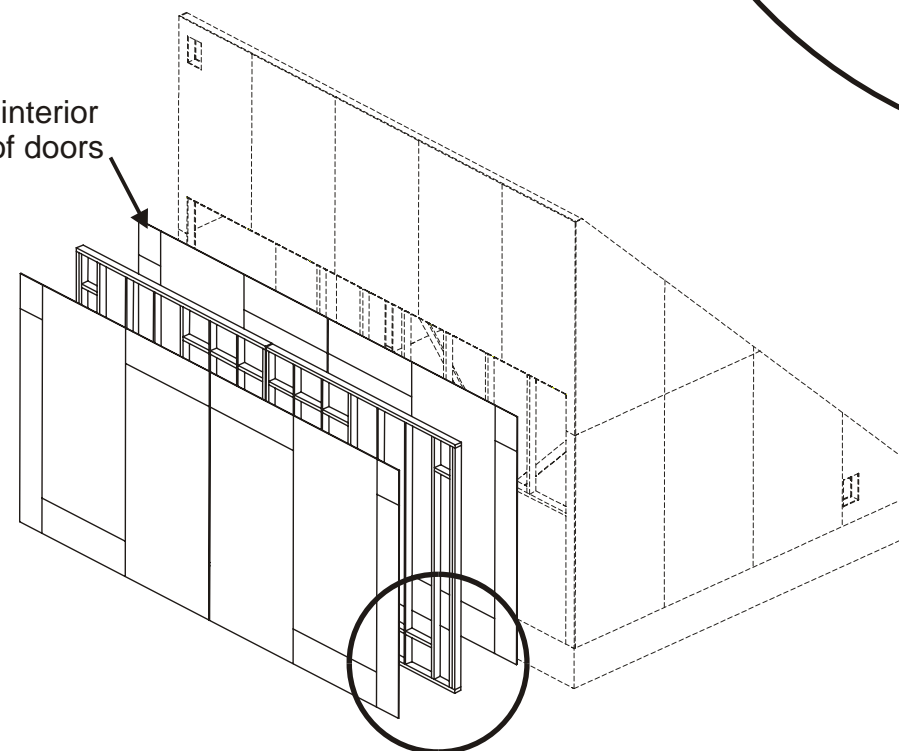
Item	Qty	Length	Material
A	10	101 3/4"	2x4x10' (10)



← Mark side with double studs

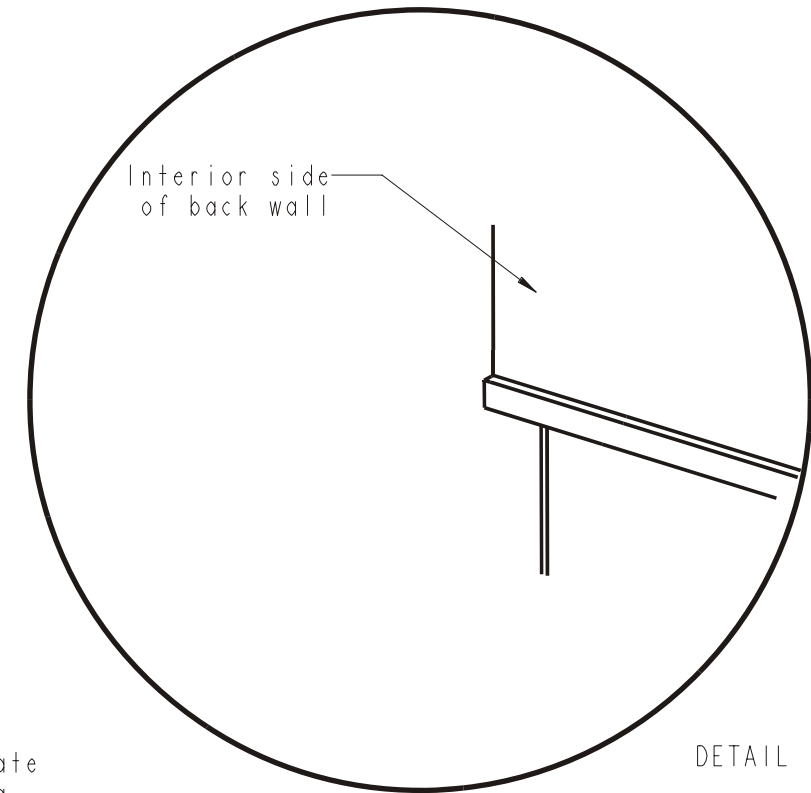
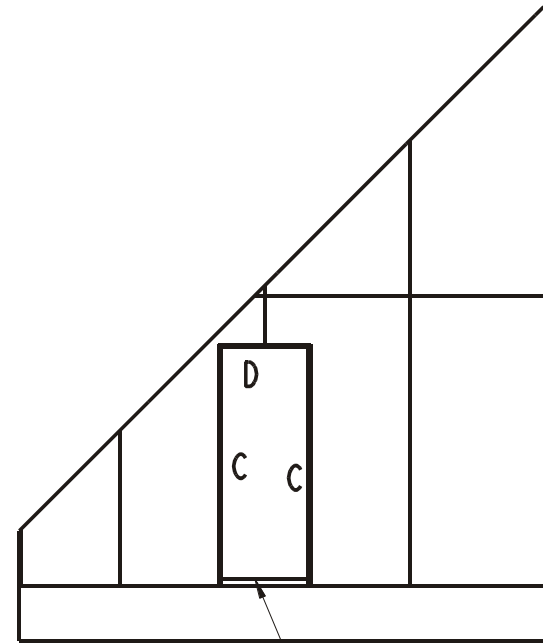
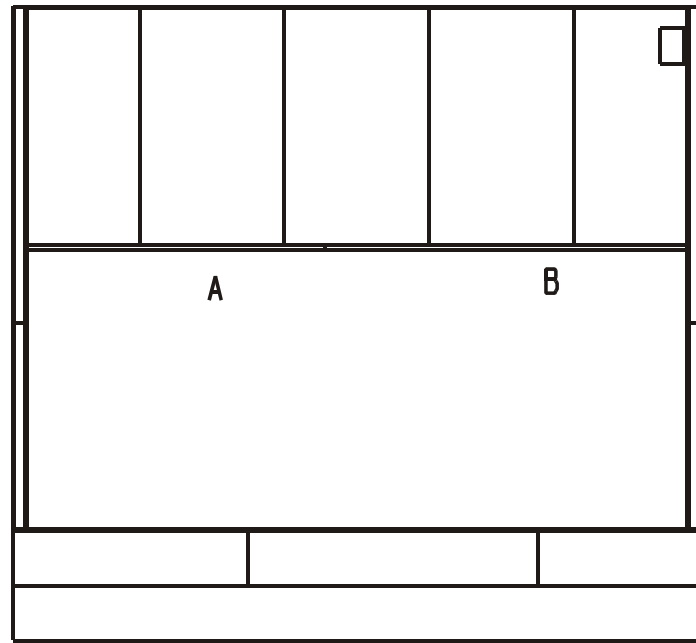


Mark interior side of doors



NOTE: See table for lumber lengths

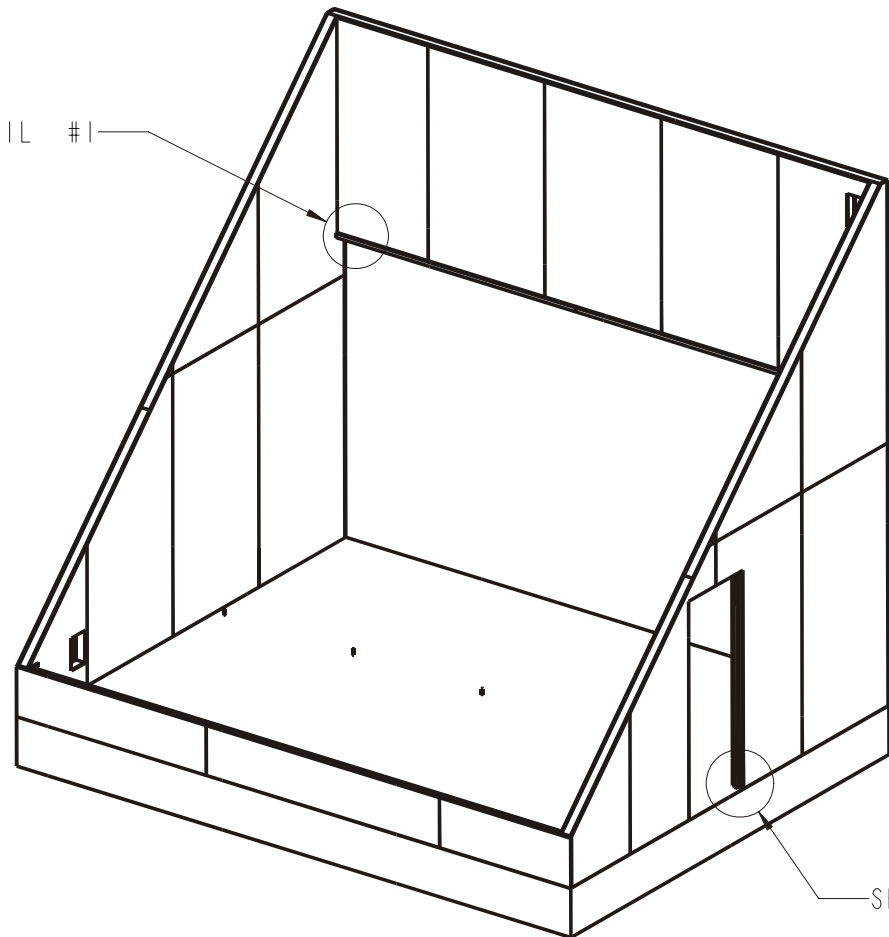
Item	Qty	Length	Material
H	4	16"	2x4x8'
G	2	9 3/8"	
F	6	14 7/8"	2x4x8'
E	4	15 1/4"	2x4x8'
D	2	14 1/8"	
C	8	108 3/4"	1x4x10' (8)
B	10	108 3/4"	2x4x10' (10)
A	4	109 1/8"	2x4x10' (4)



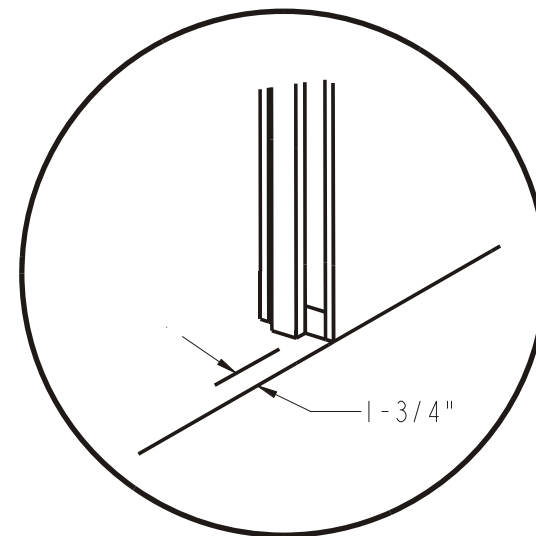
Remove sill plate in door opening

NOTE: Views shown without interior wall, front wall, and rafters for clarity

SEE DETAIL #1

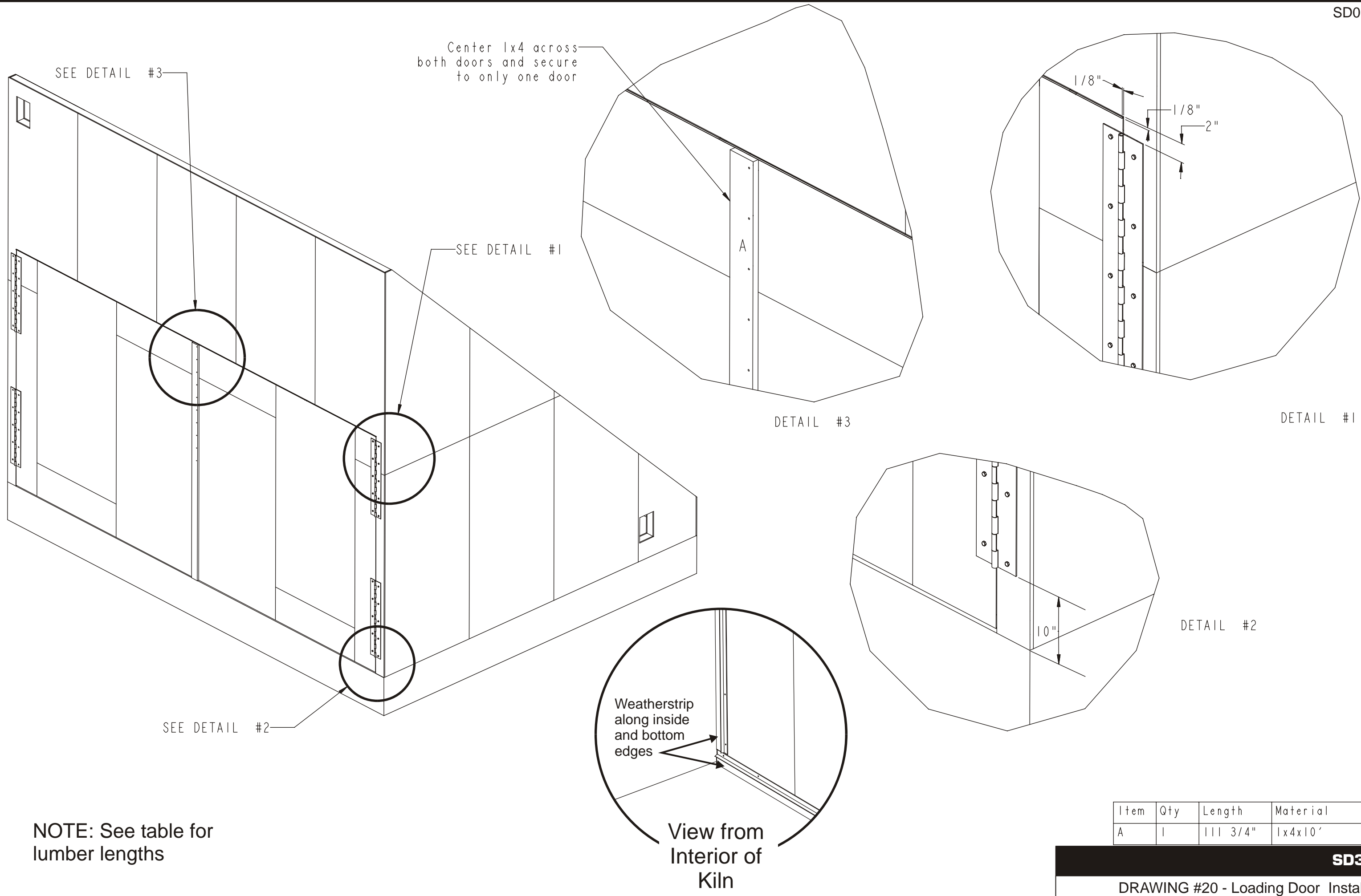


SEE DETAIL #2



NOTE: See table for lumber lengths

Item	Qty	Length	Material
D	1	30 1/2"	1x2x10' Cedar (2)
C	2	79 1/4"	
B	1	120"	1x2x10' Cedar
A	1	99"	1x2x10' Cedar



Center 1x4 across both doors and secure to only one door

SEE DETAIL #3

SEE DETAIL #1

A

DETAIL #3

1/8" 1/8" 2"

DETAIL #1

SEE DETAIL #2

10"

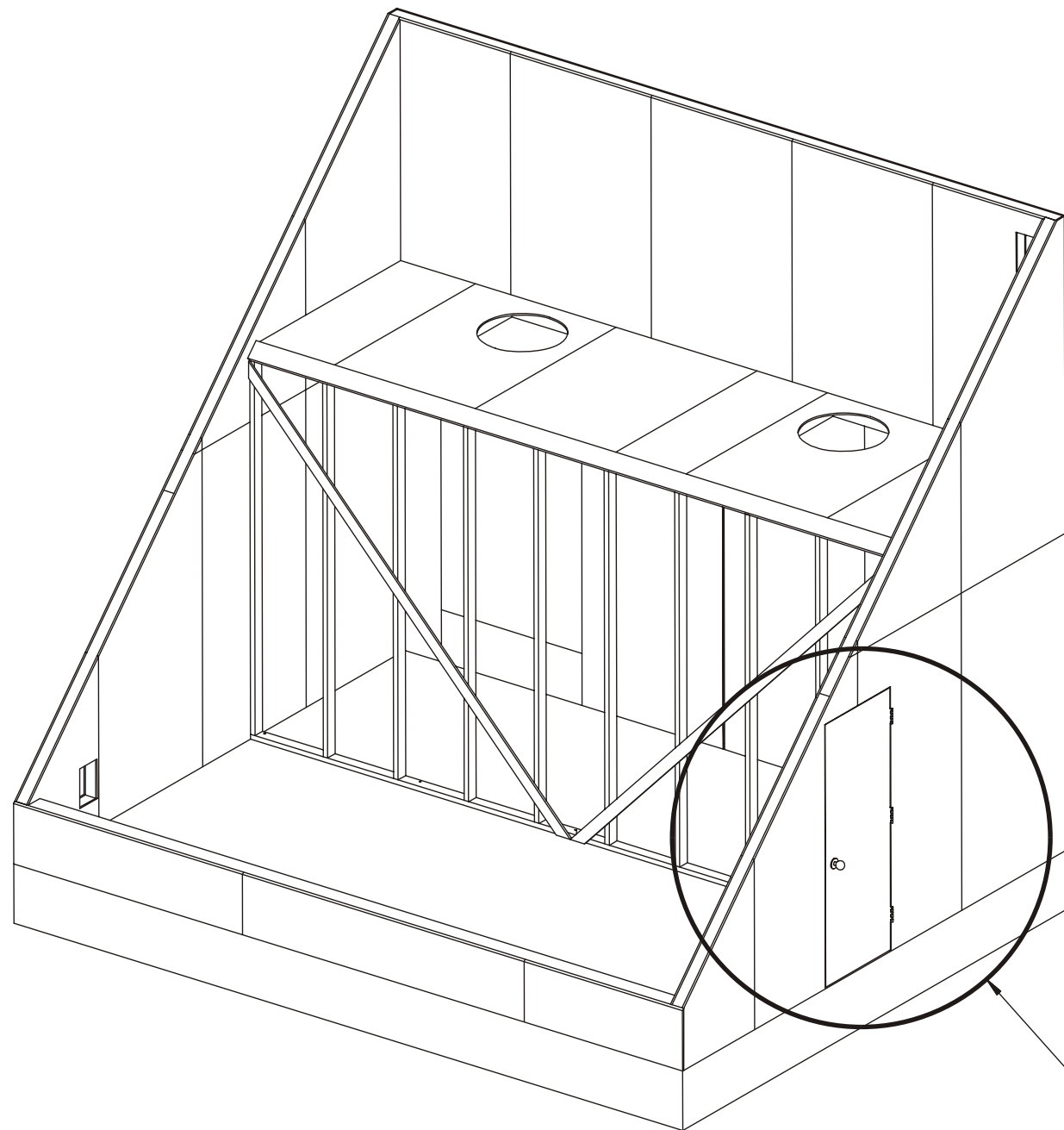
DETAIL #2

Weatherstrip along inside and bottom edges

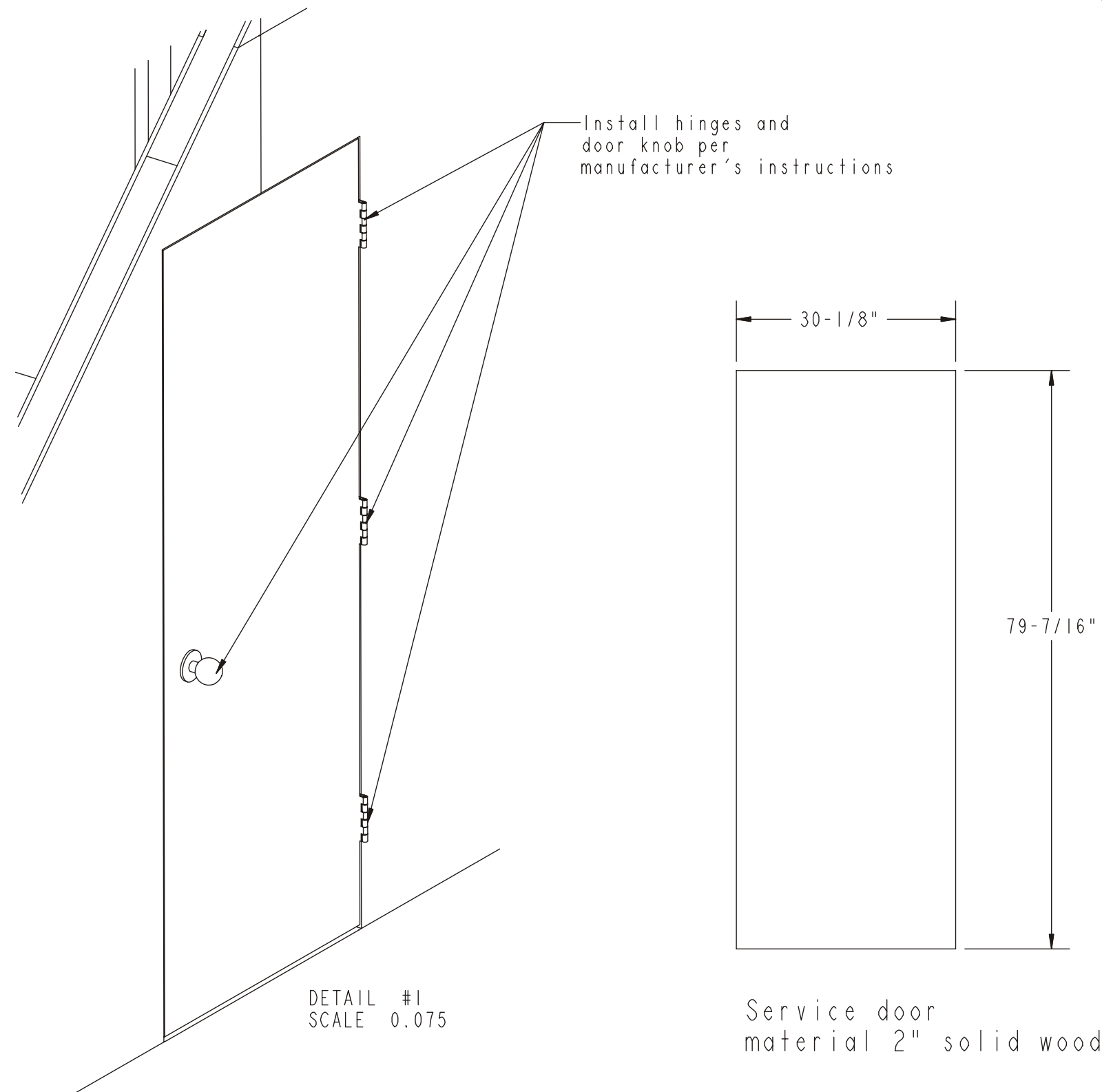
View from Interior of Kiln

NOTE: See table for lumber lengths

Item	Qty	Length	Material
A	1	111 3/4"	1x4x10'



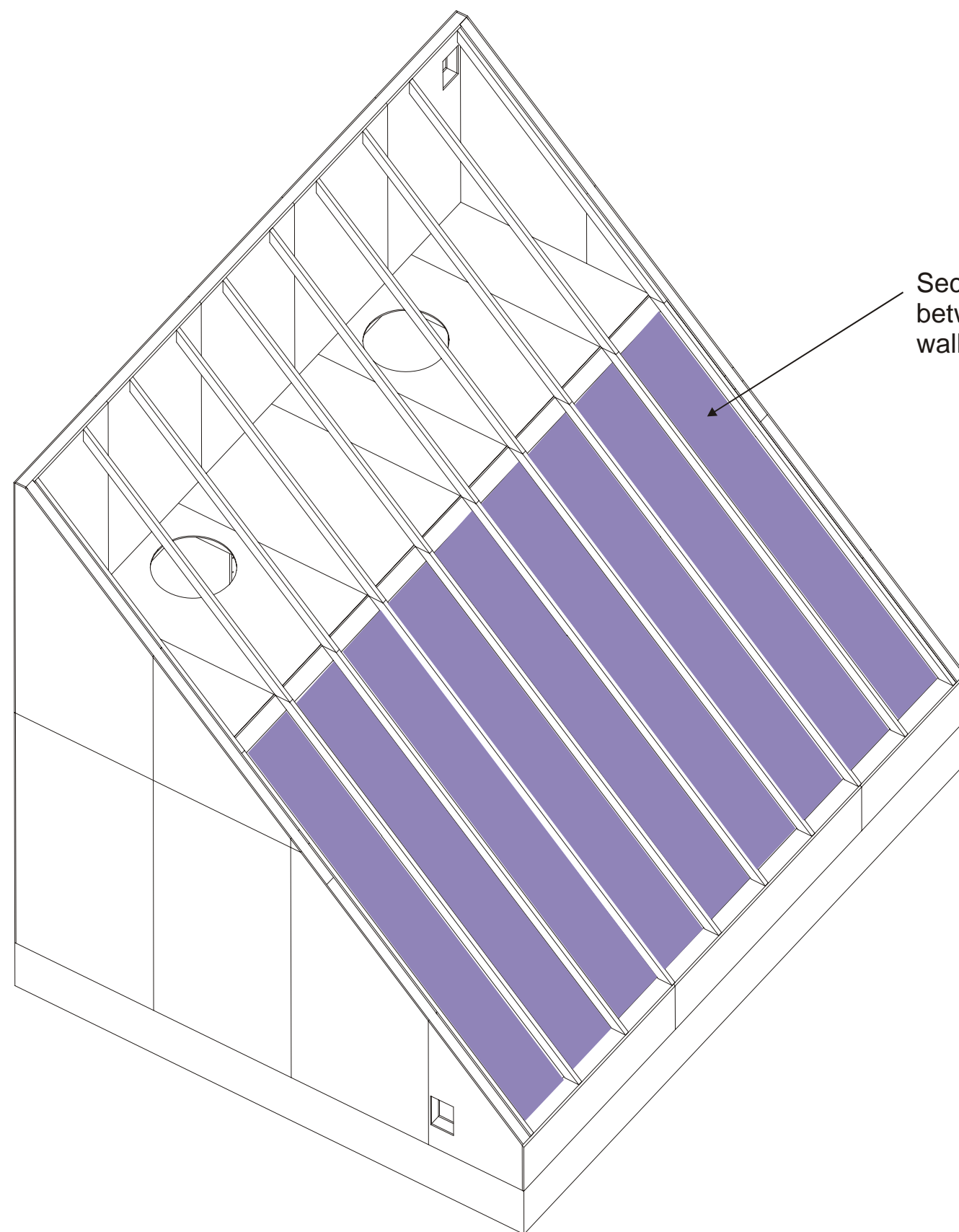
SEE DETAIL #1



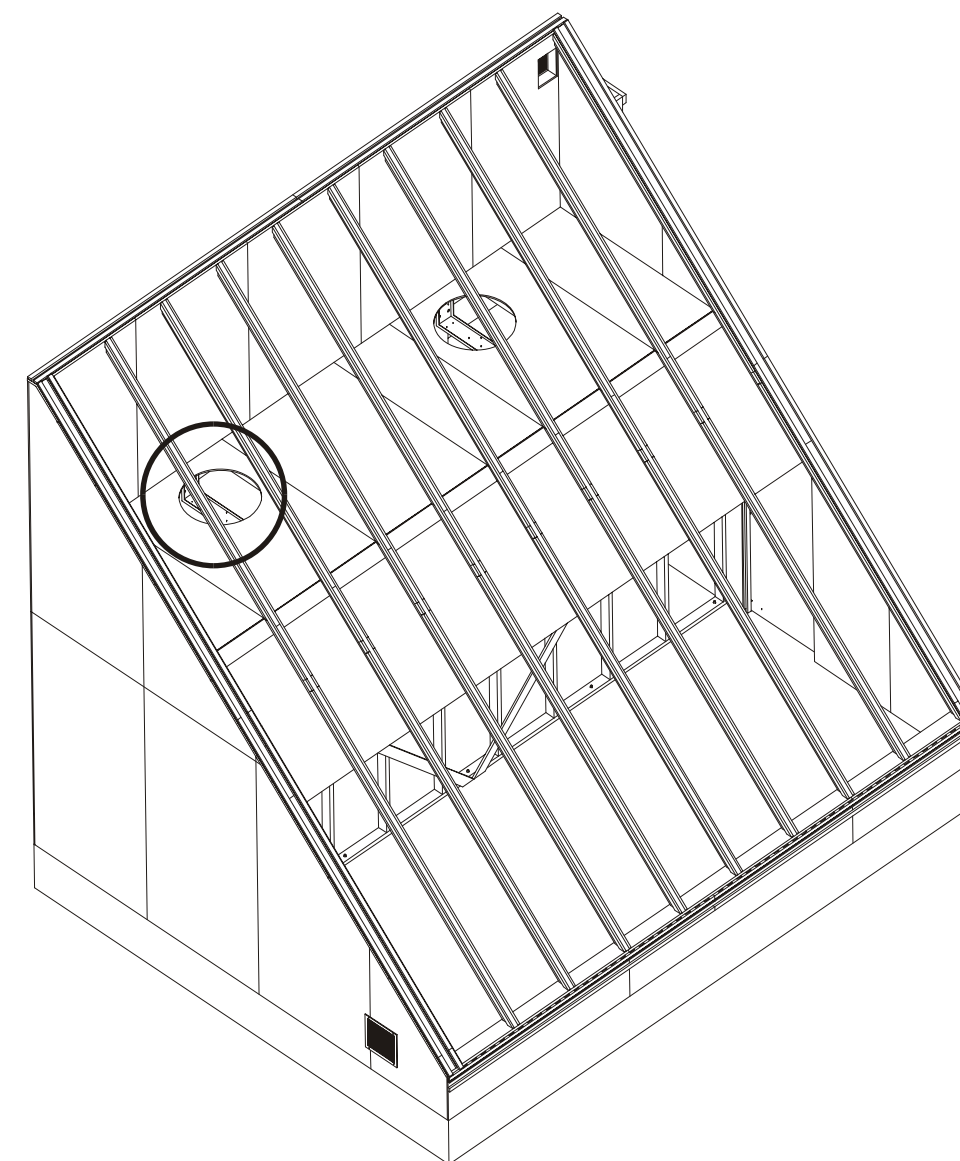
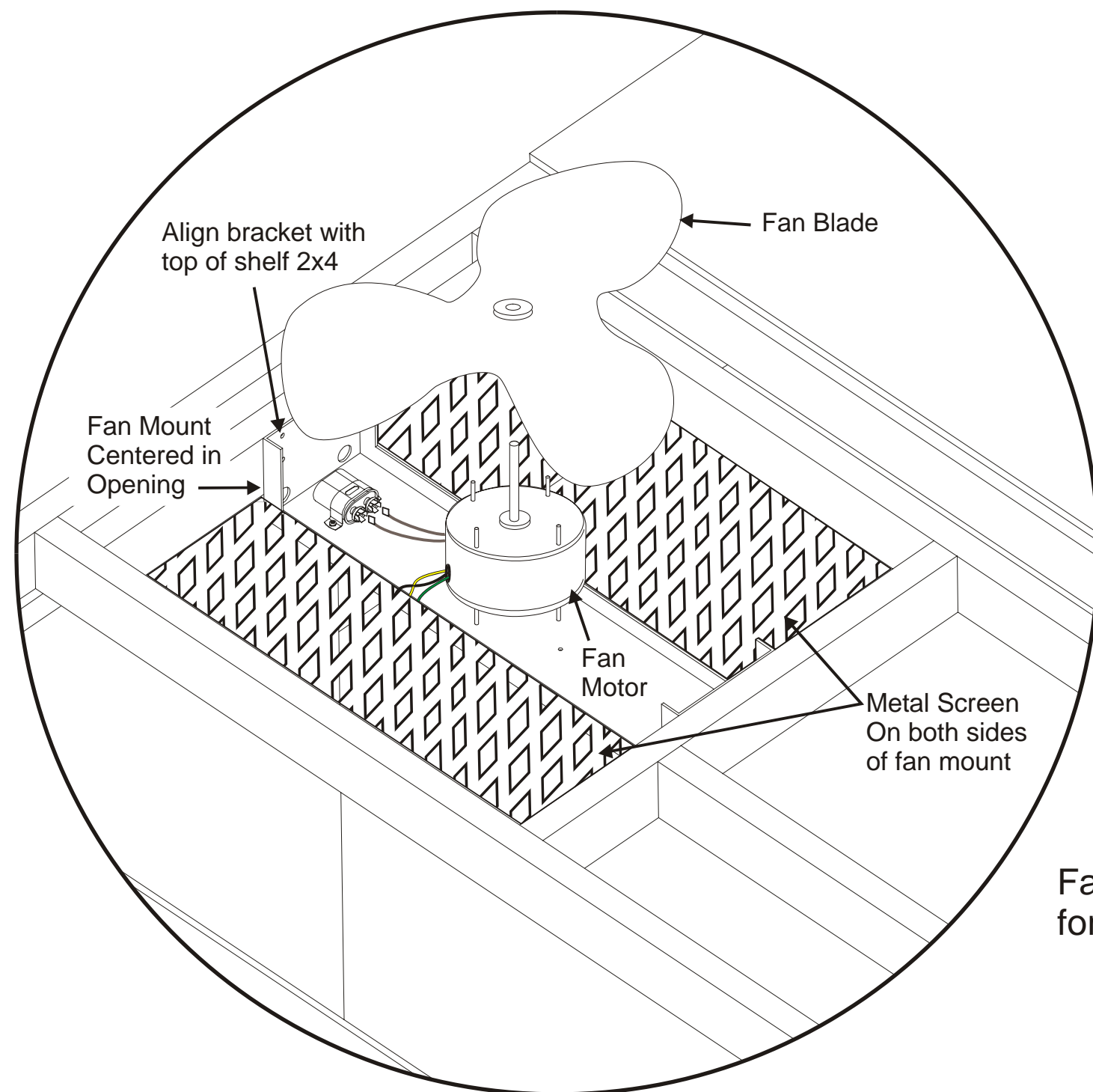
Install hinges and door knob per manufacturer's instructions

DETAIL #1
SCALE 0.075

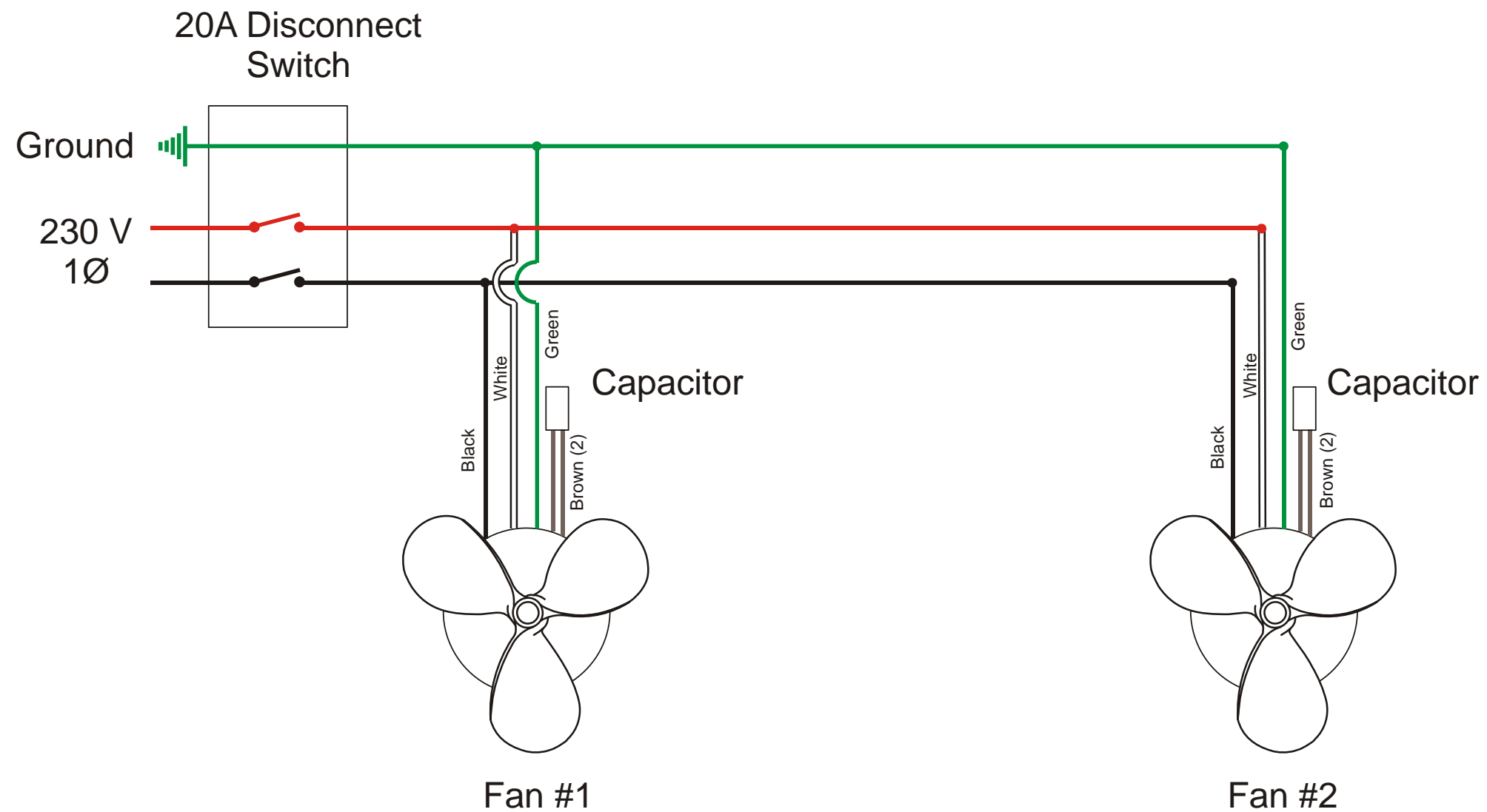
Service door
material 2" solid wood



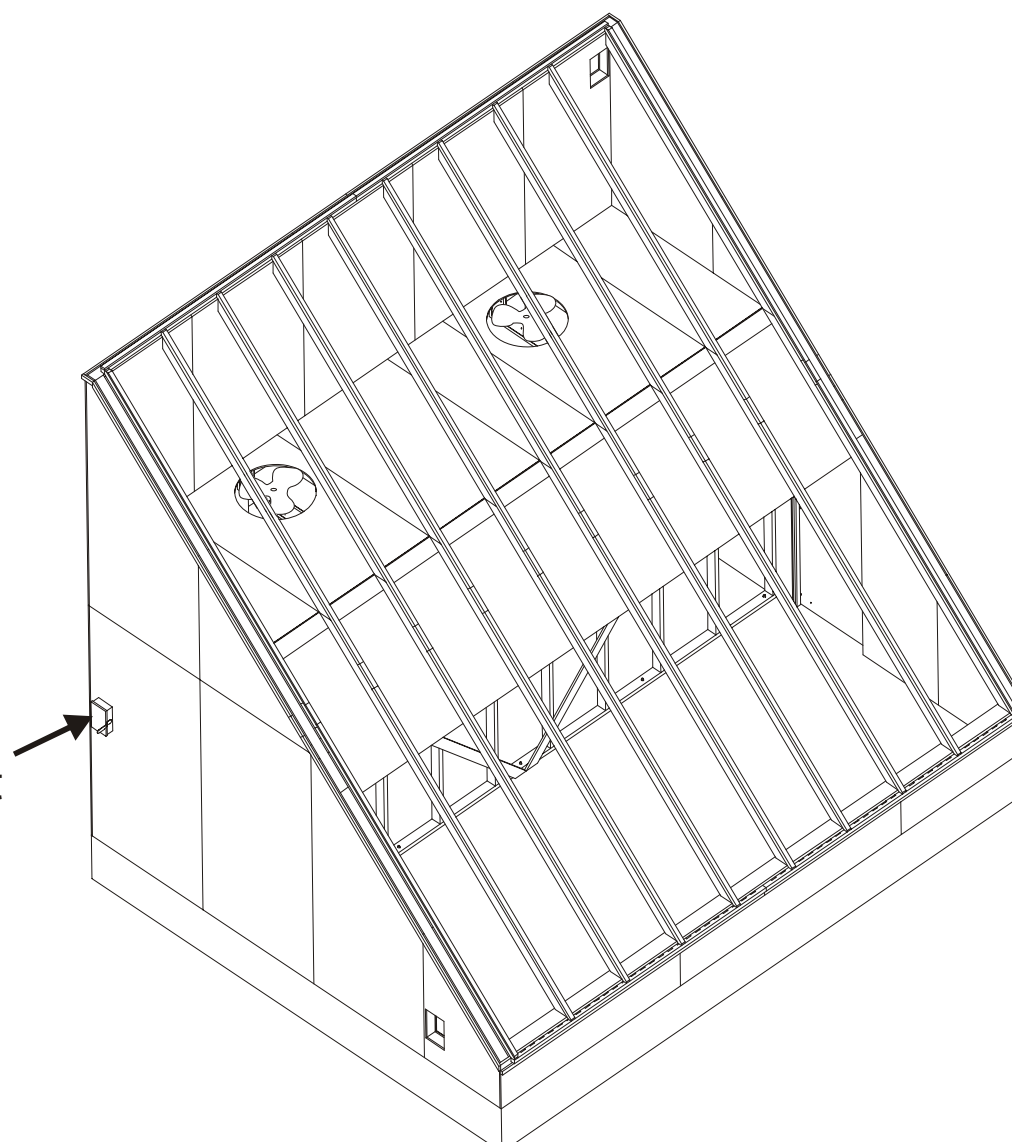
Secure screen to bottom of rafters
between middle support wall and front
wall (18.5' x 11.5' or 213 Sq. Ft.)

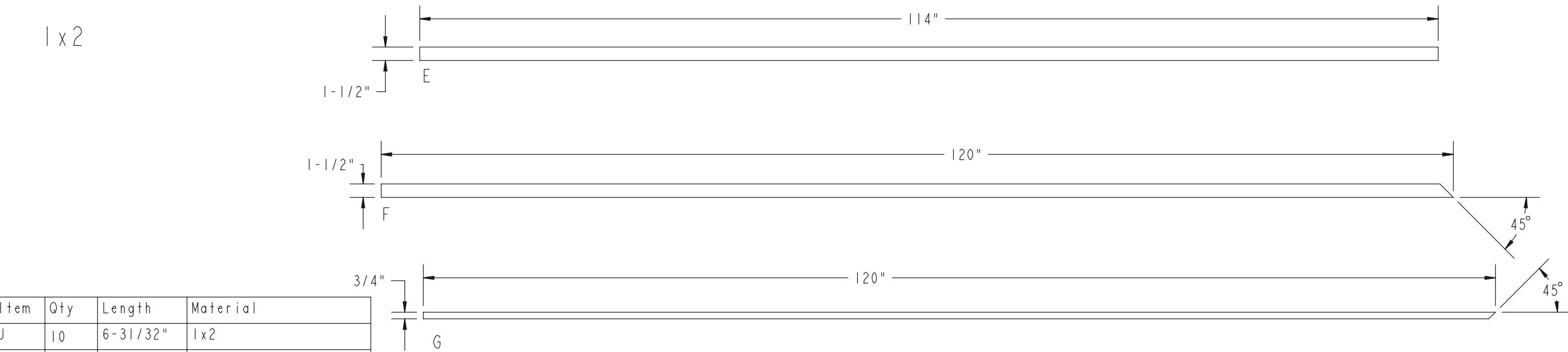
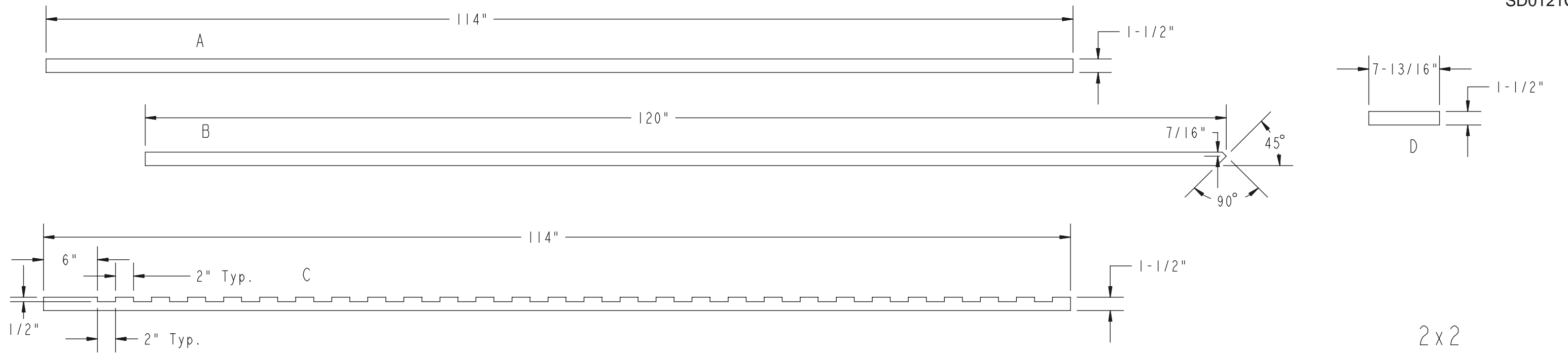


Fan Detail - Plywood removed for clarity

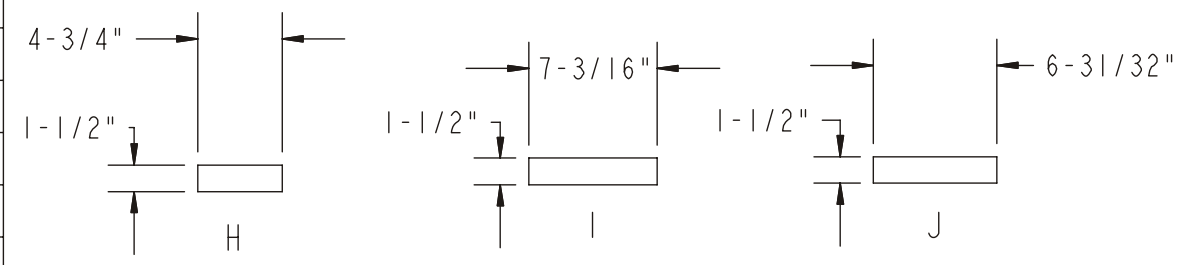


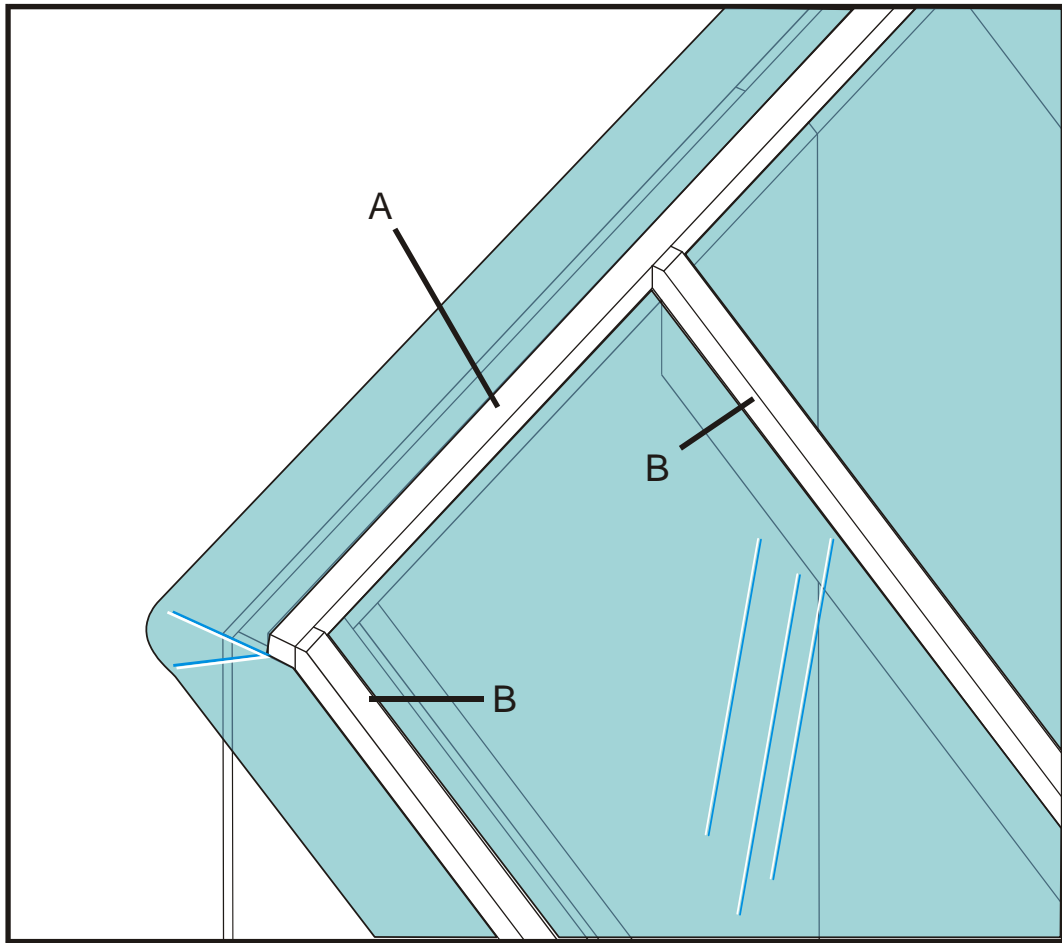
Mount disconnect switch to either end wall



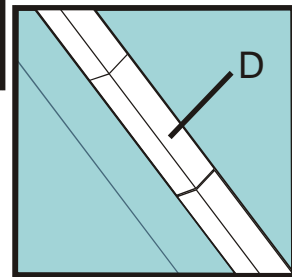


Item	Qty	Length	Material
J	10	6-31/32"	1x2
I	2	7-3/16"	1x2
H	2	4-3/4"	1x2
G	20	120"	1x2x10' Cedar (20)
F	4	120"	1x2x10' Cedar (4)
E	6	114"	1x2x10' Cedar (6)
D	10	7-13/16"	2x2x10'
C	2	114"	2x2x10' (2)
B	20	120"	2x2x10' (20)
A	2	120"	2x2x10' (2)

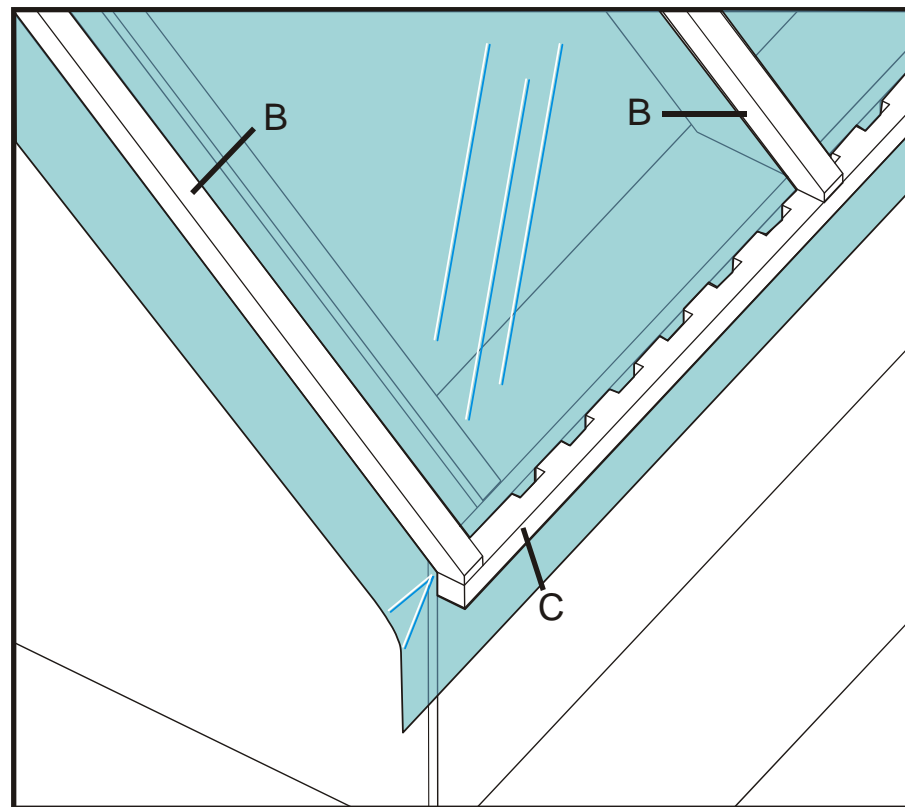




DETAIL #1

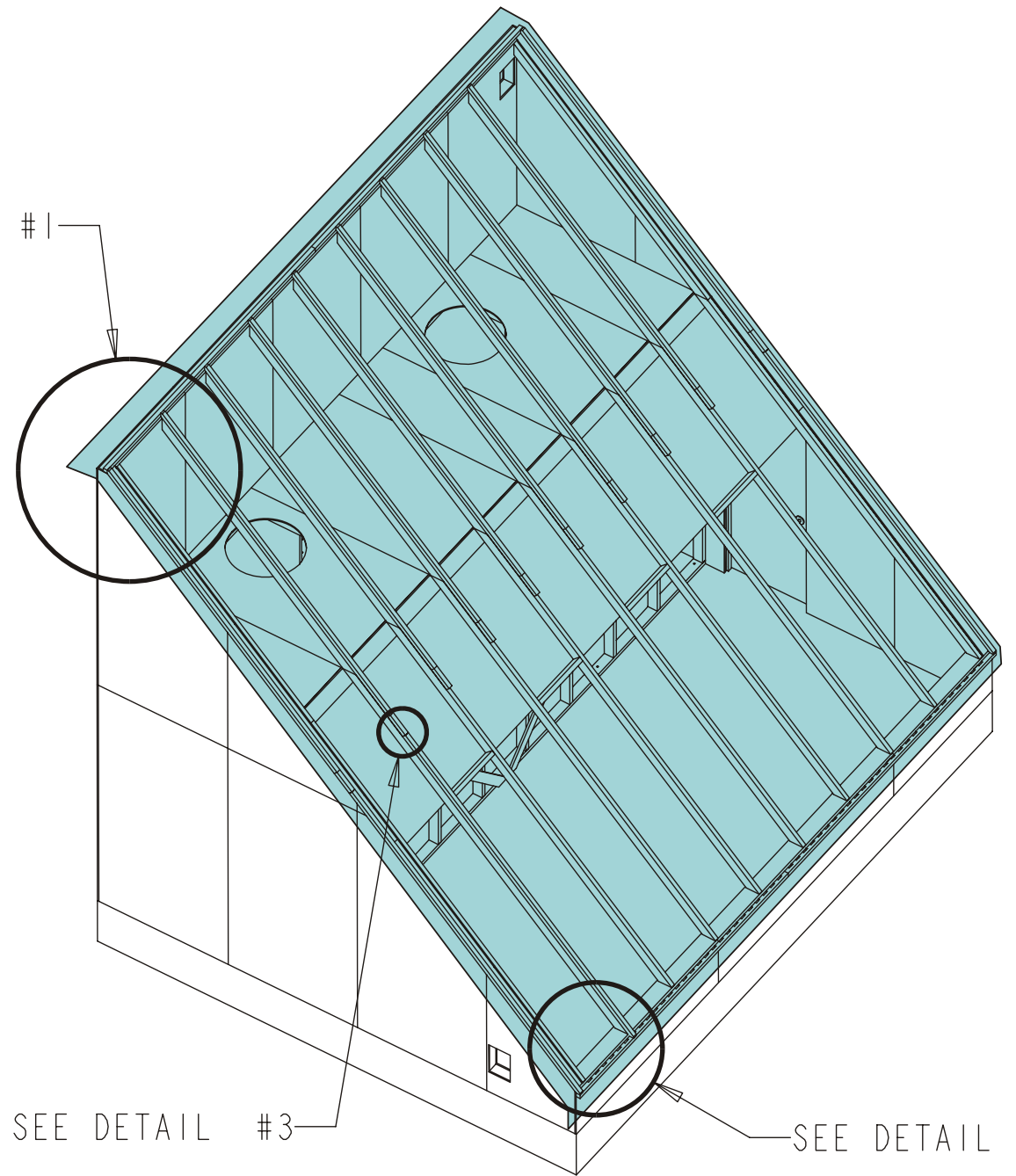


DETAIL #3



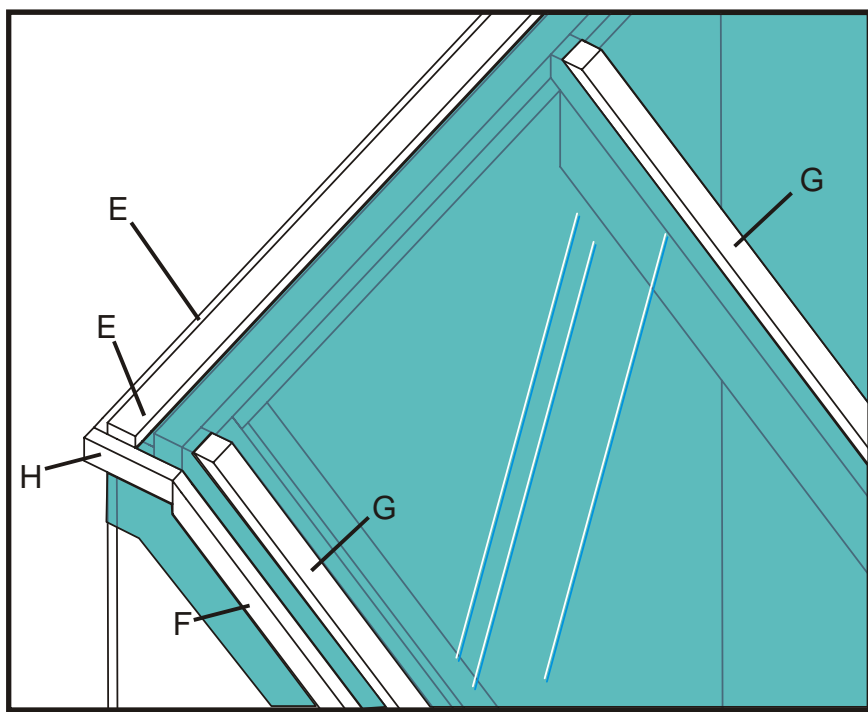
DETAIL #2

SEE DETAIL #1

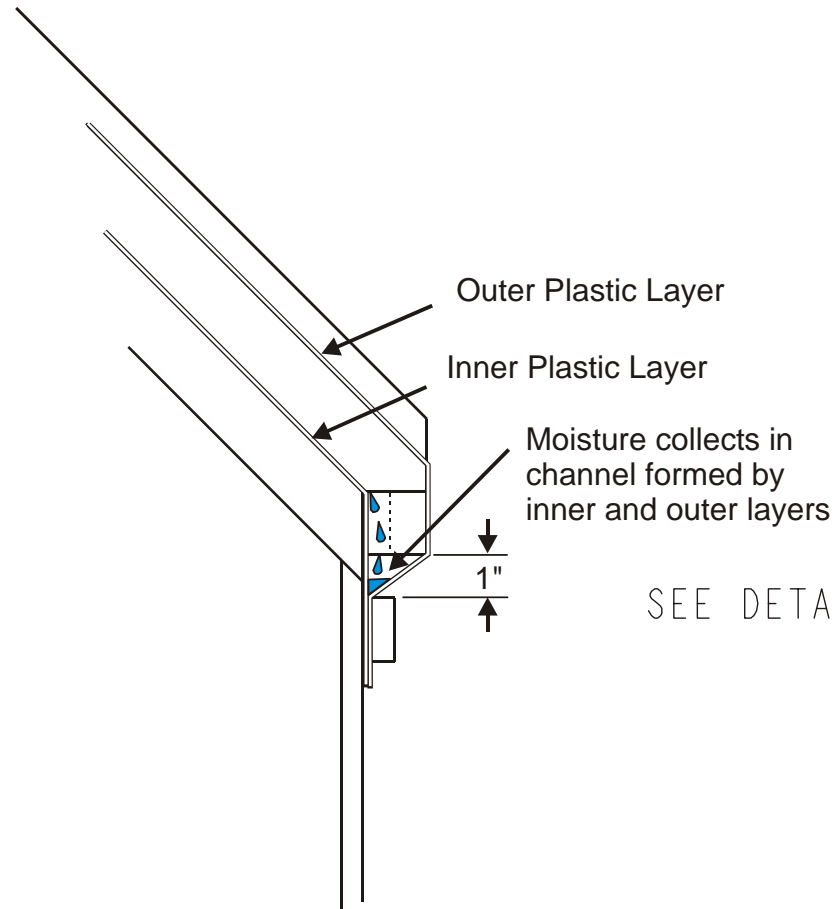


SEE DETAIL #3

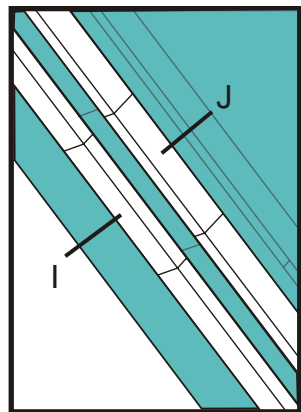
SEE DETAIL #2



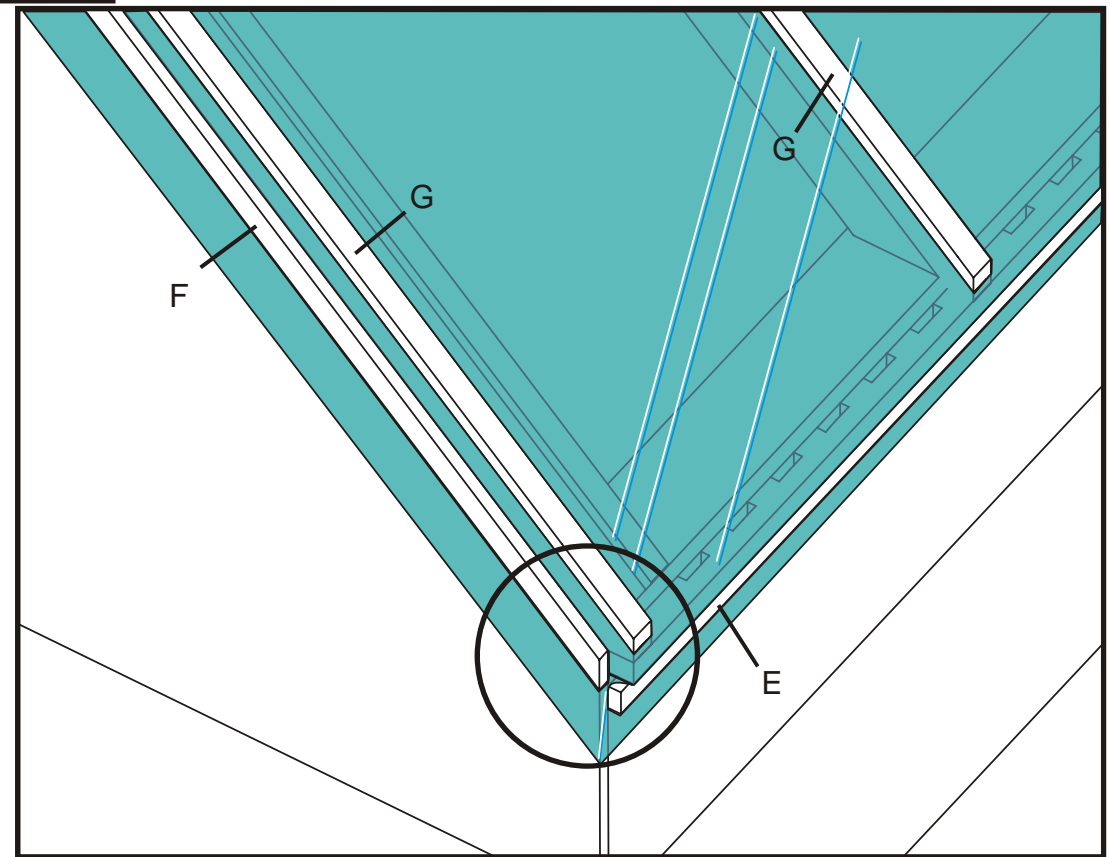
DETAIL #1



SEE DETAIL #1



DETAIL #3



DETAIL #2

